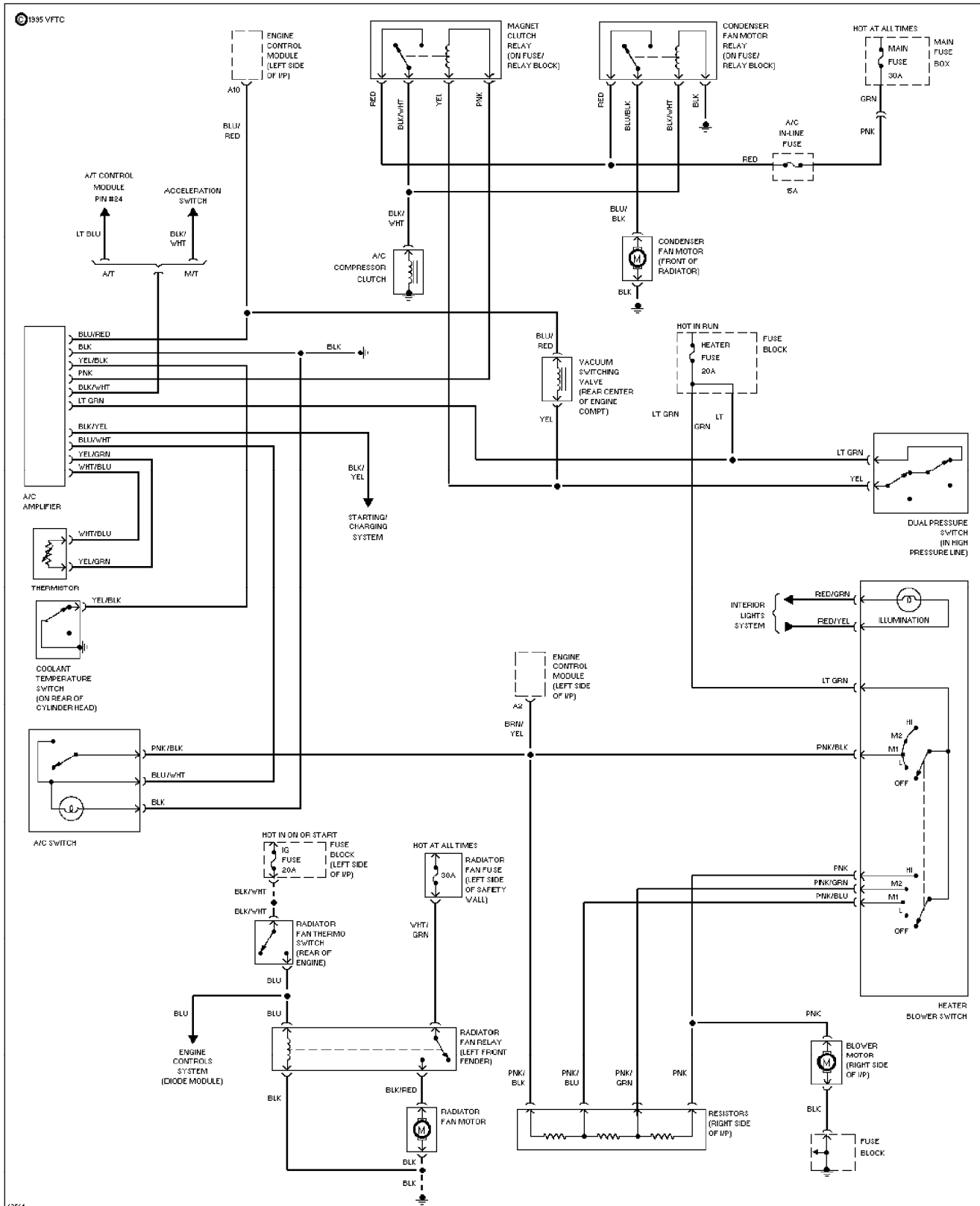


SYSTEM WIRING DIAGRAMS

A/C Circuit 1993 Suzuki Swift

CDR@WP.PL

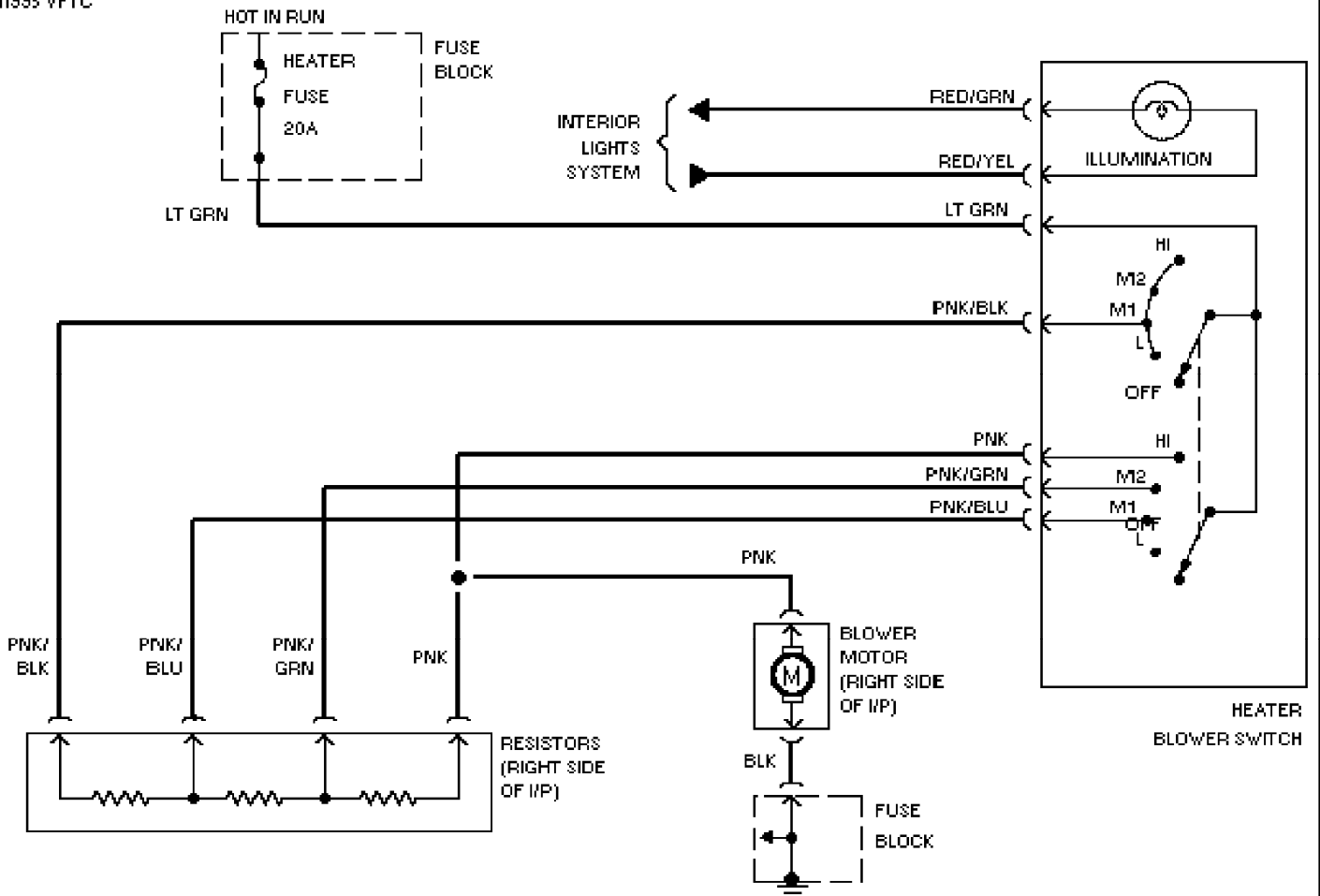


SYSTEM WIRING DIAGRAMS

Heater Circuit (p. 2)

1993 Suzuki Swift

© 1995 YFTC

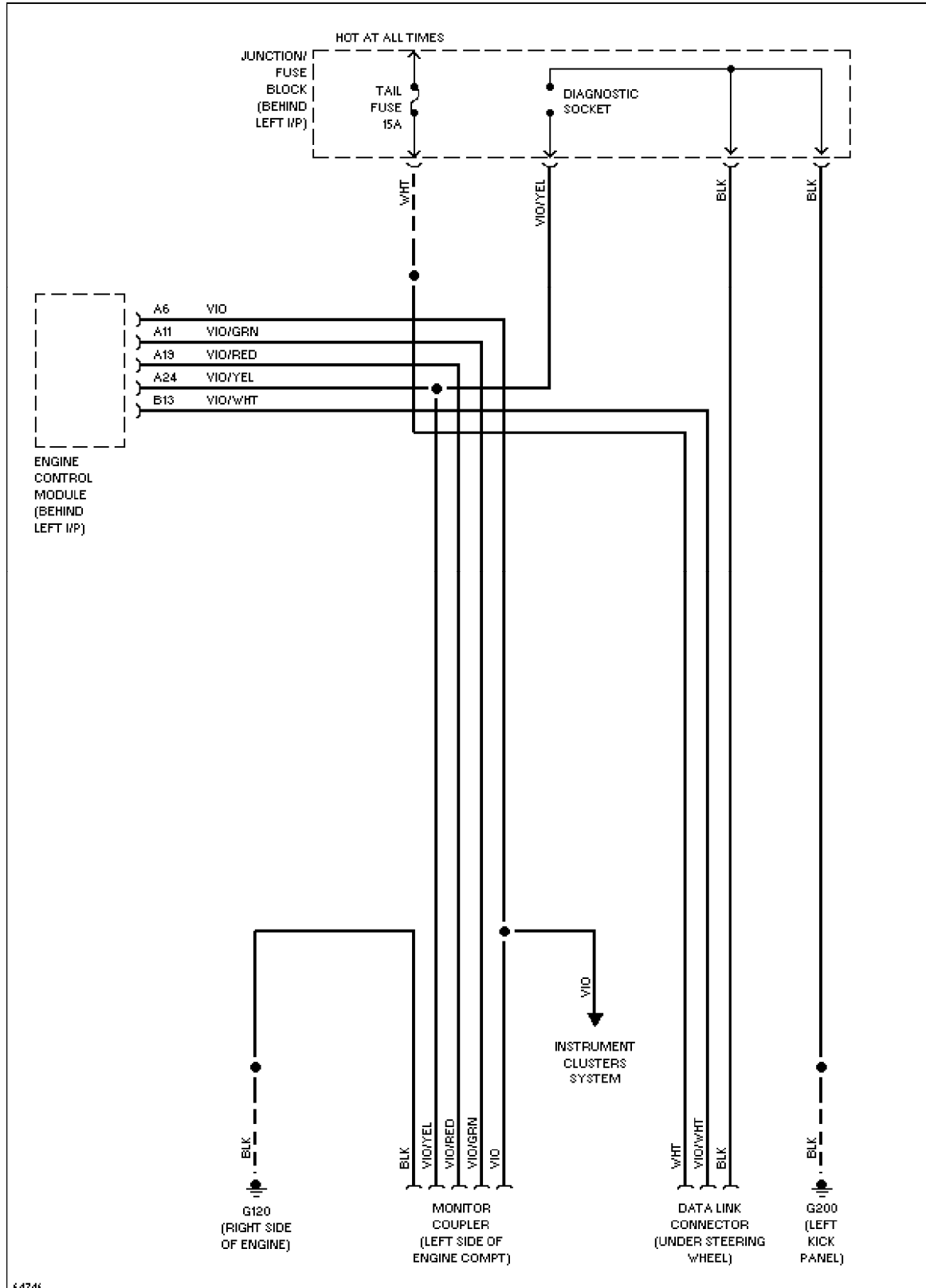


66083

SYSTEM WIRING DIAGRAMS

Data Link Connector Circuit (p. 3)

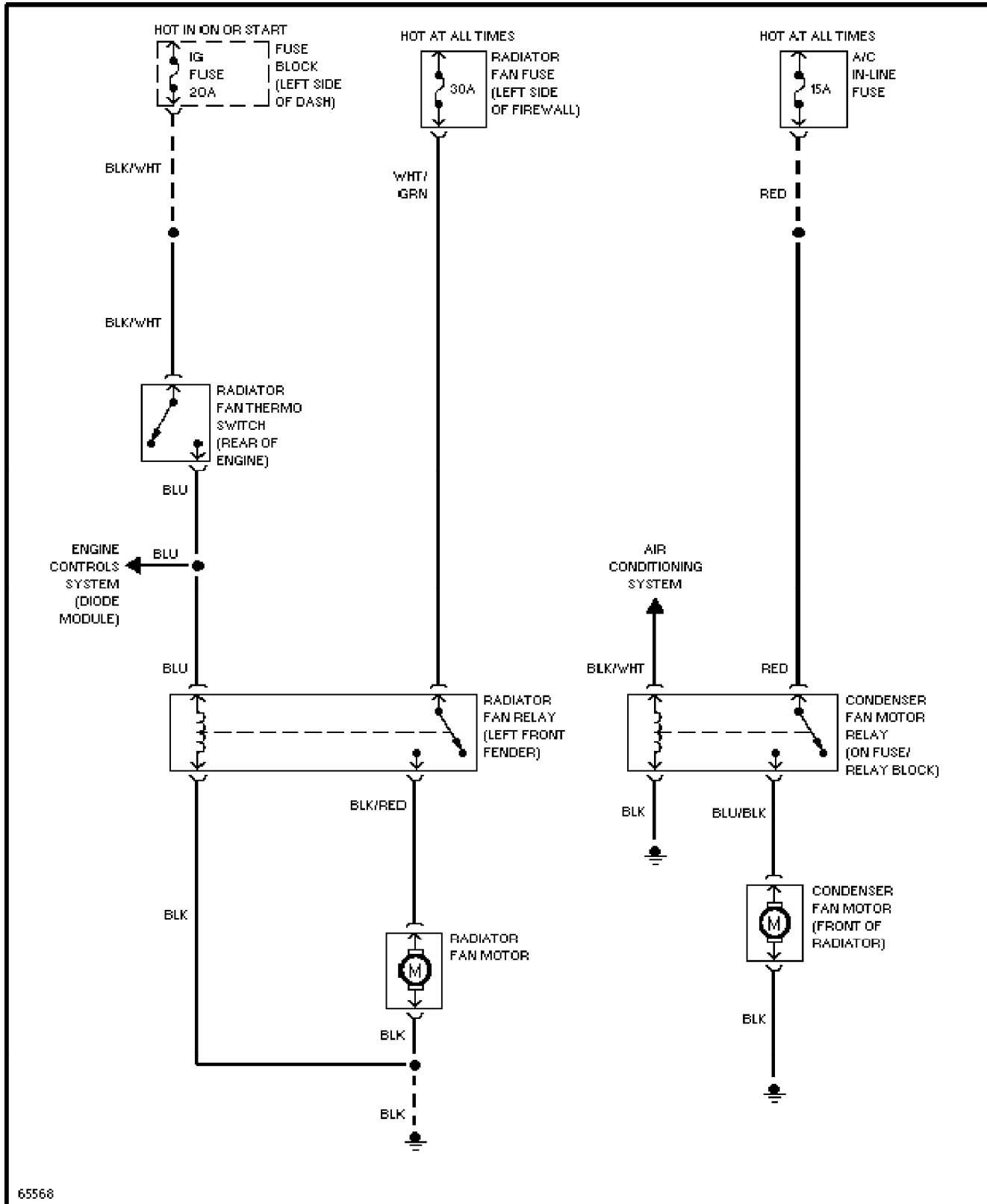
1993 Suzuki Swift



SYSTEM WIRING DIAGRAMS

Cooling Fan Circuit (p. 4)

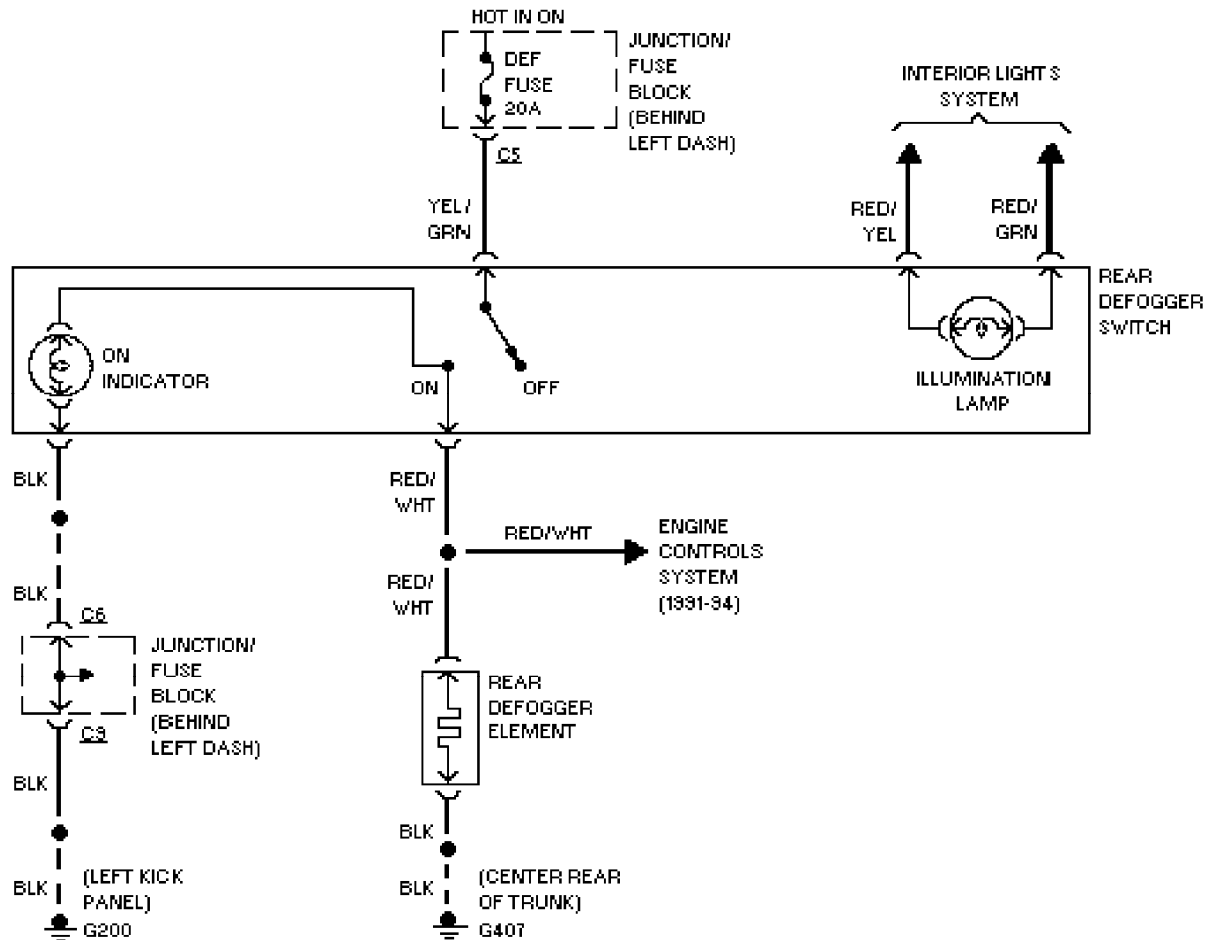
1993 Suzuki Swift



SYSTEM WIRING DIAGRAMS

Defogger Circuit (p. 5)

1993 Suzuki Swift

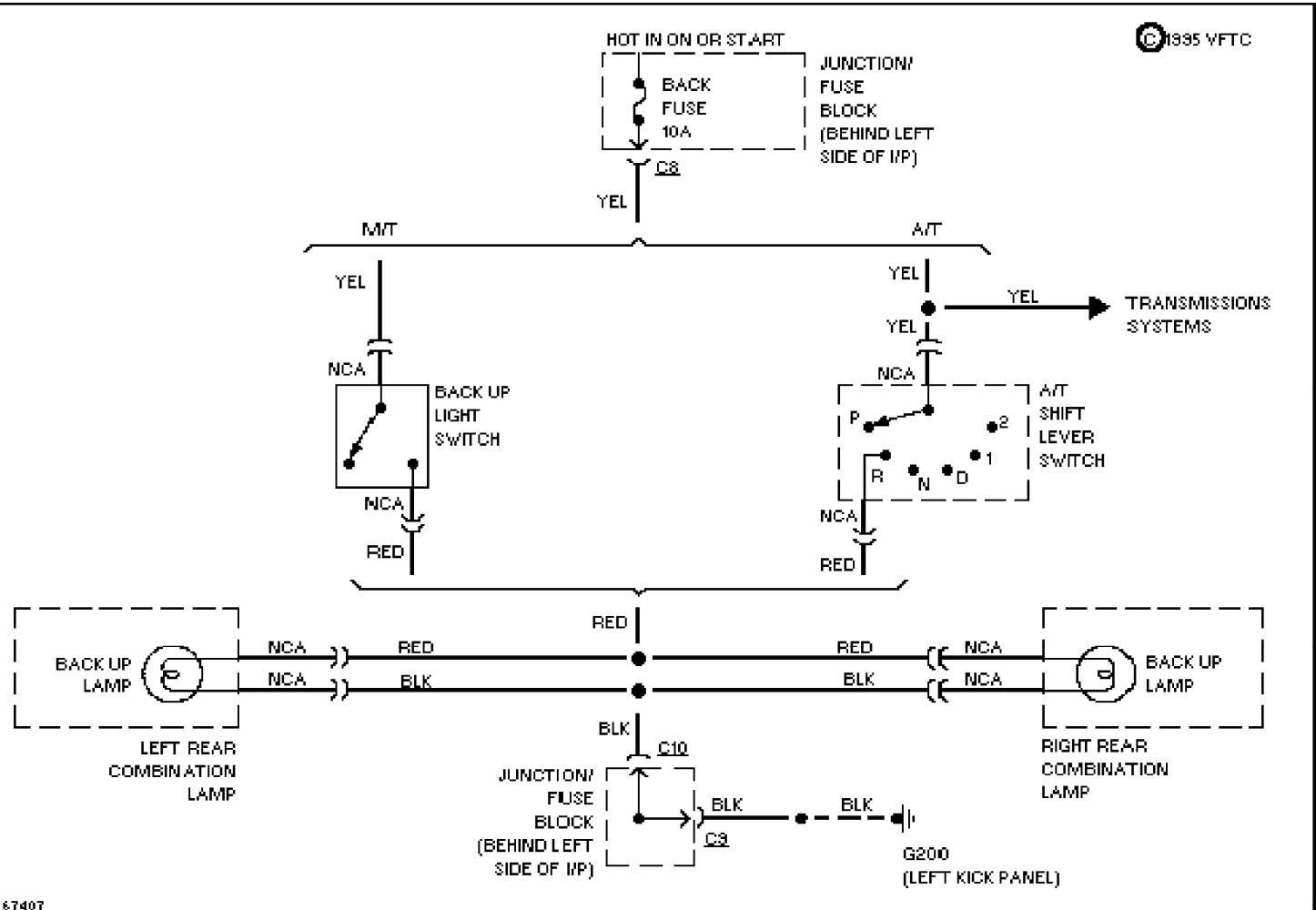


SYSTEM WIRING DIAGRAMS

Back-up Lamps Circuit (p. 6)

1993 Suzuki Swift

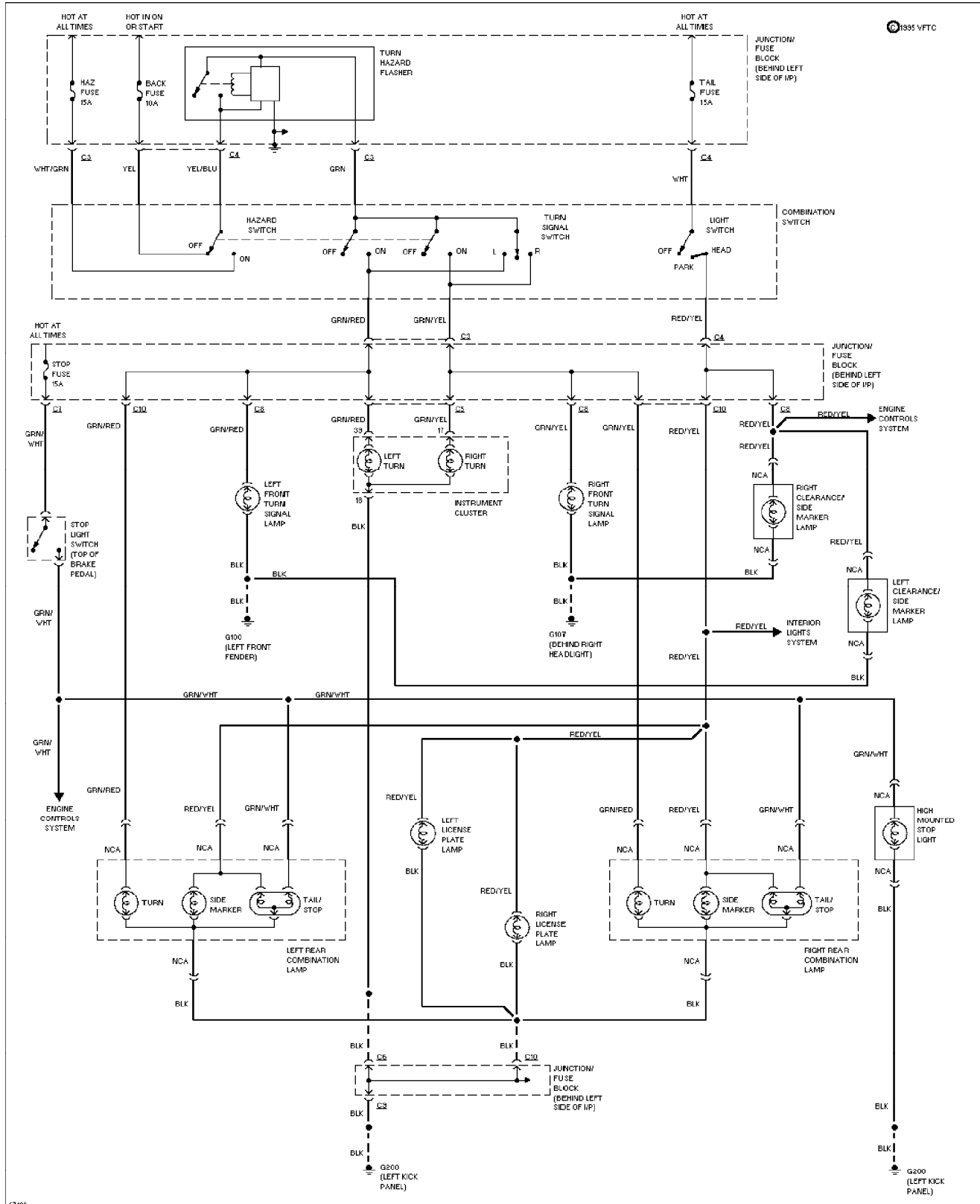
© 1993 VFTC



SYSTEM WIRING DIAGRAMS

Exterior Light Circuit (p. 7)

1993 Suzuki Swift

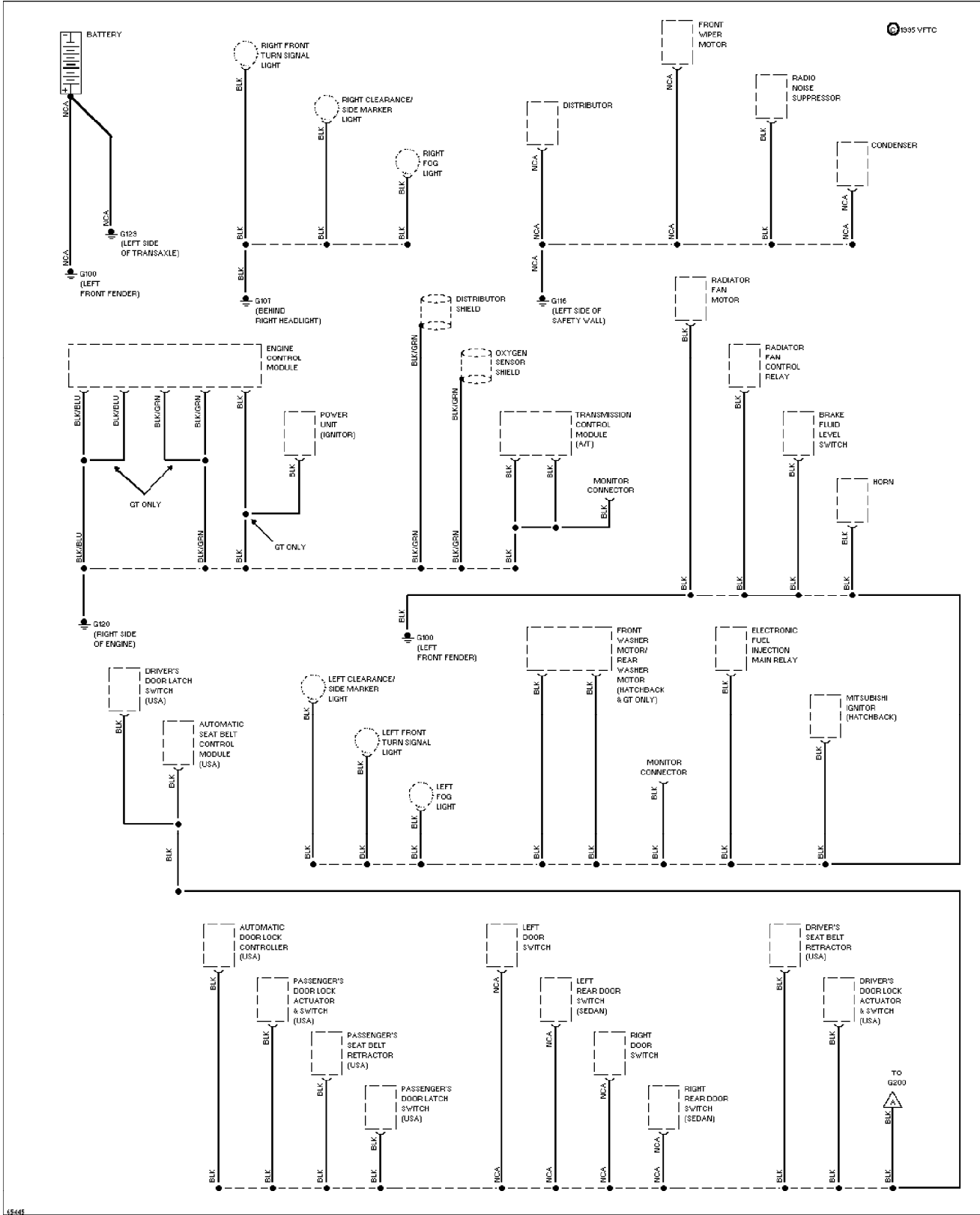


SYSTEM WIRING DIAGRAMS

Ground Distribution Circuit (1 of 2) (p. 8)

1993 Suzuki Swift

© 1995 VFTC

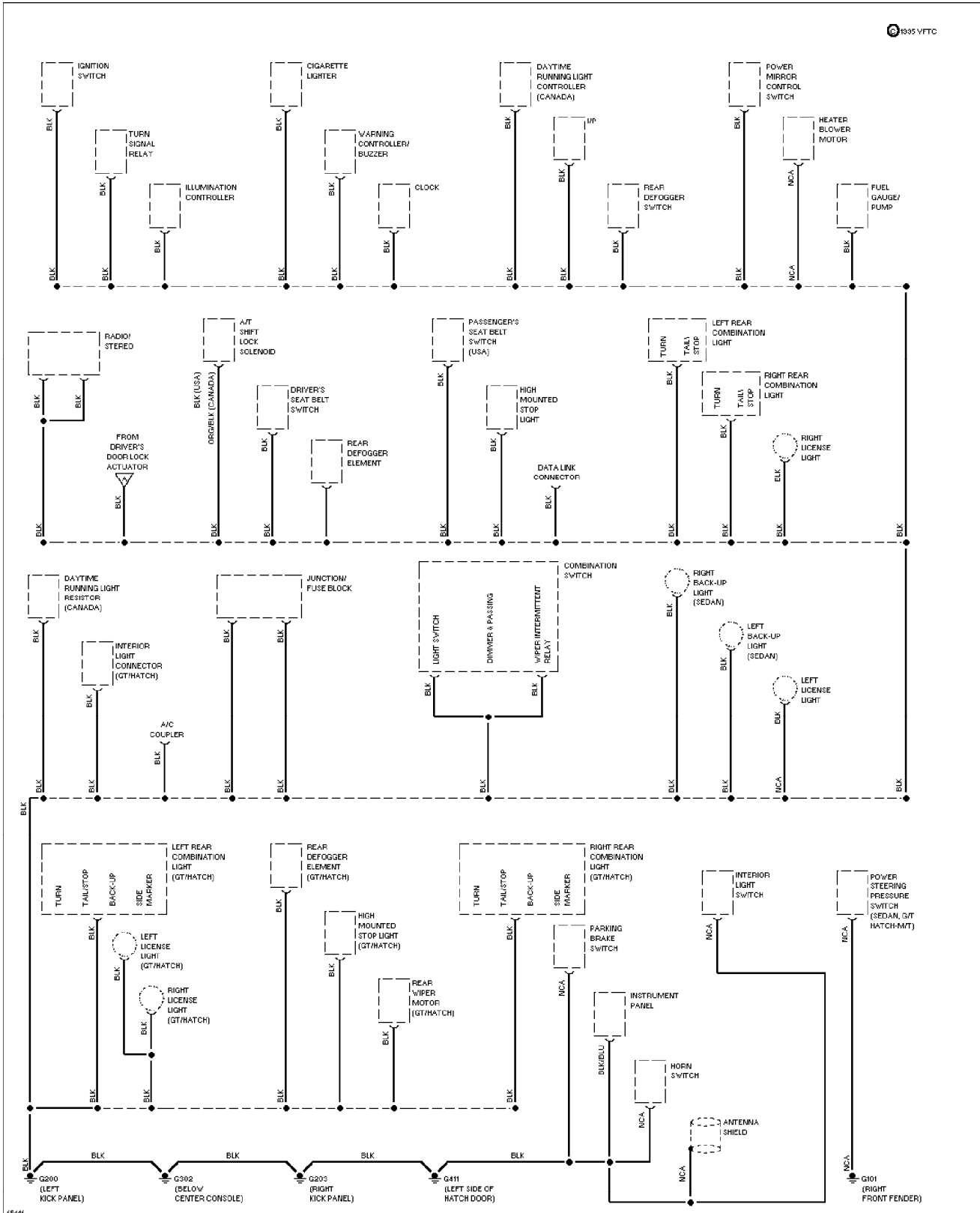


SYSTEM WIRING DIAGRAMS

Ground Distribution Circuit (2 of 2) (p. 9)

1993 Suzuki Swift

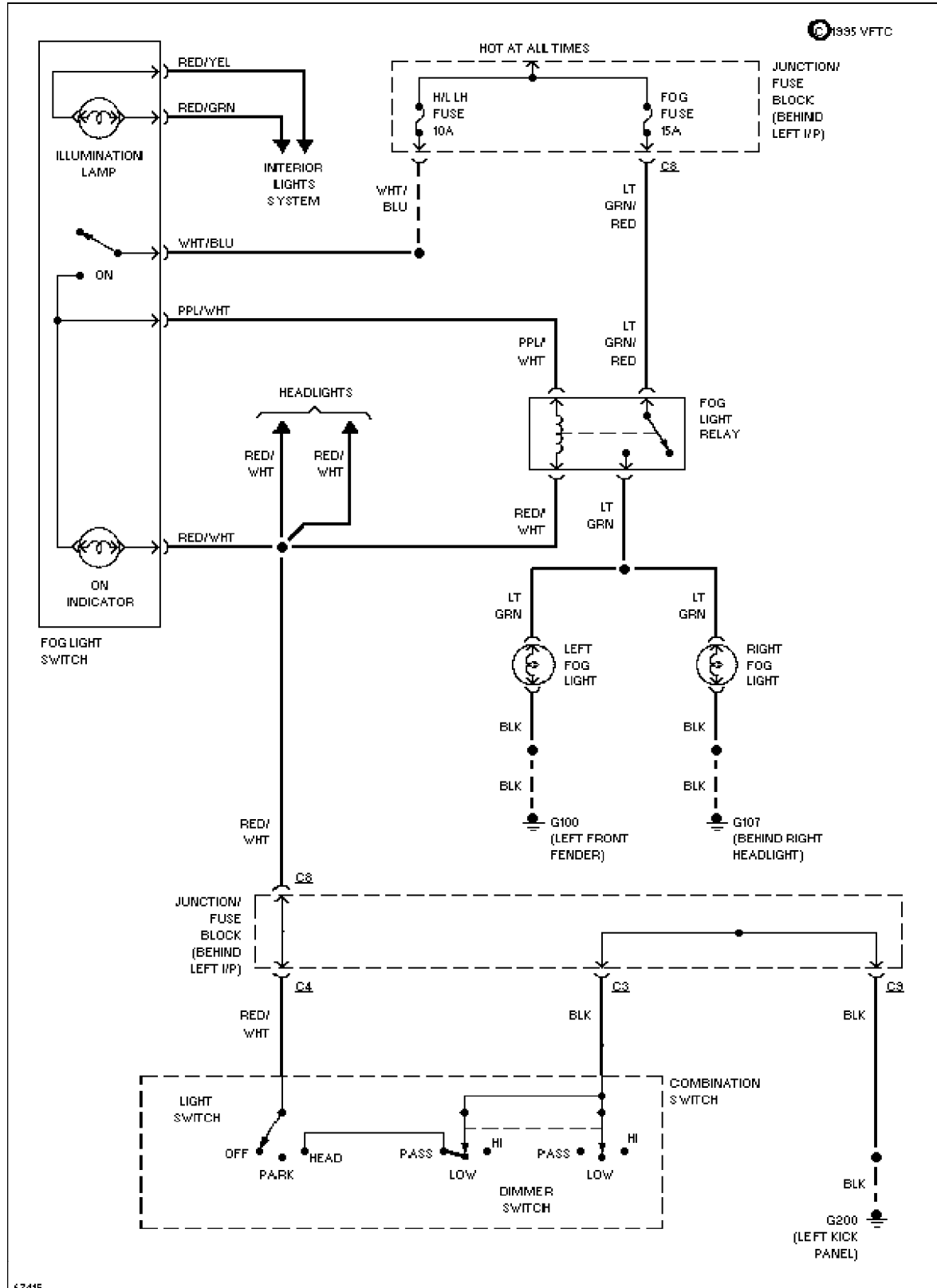
©1995 VFTC



SYSTEM WIRING DIAGRAMS

Fog Lamps Circuit (p. 10)

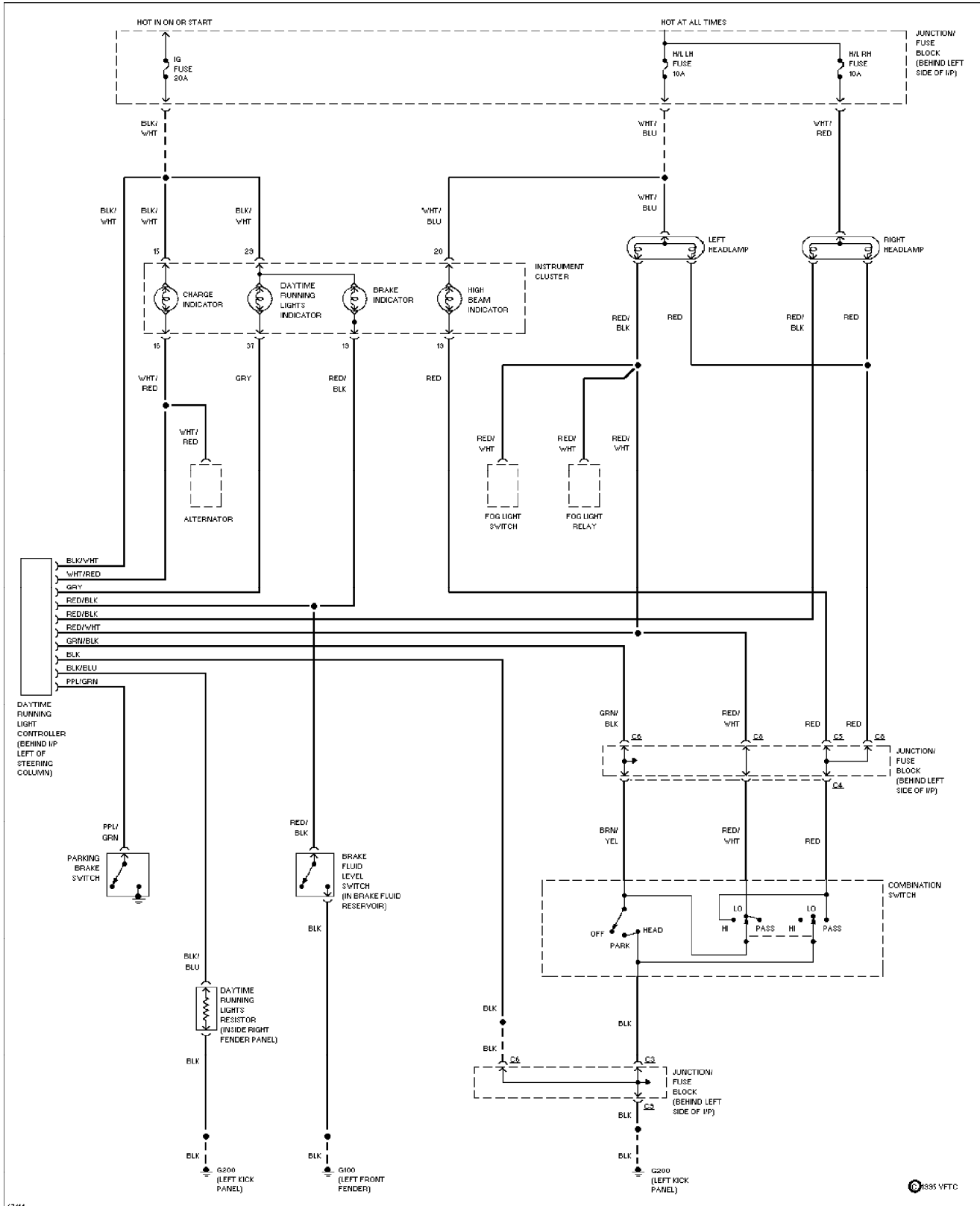
1993 Suzuki Swift



SYSTEM WIRING DIAGRAMS

Headlight Circuit, W/ DRL (p. 11)

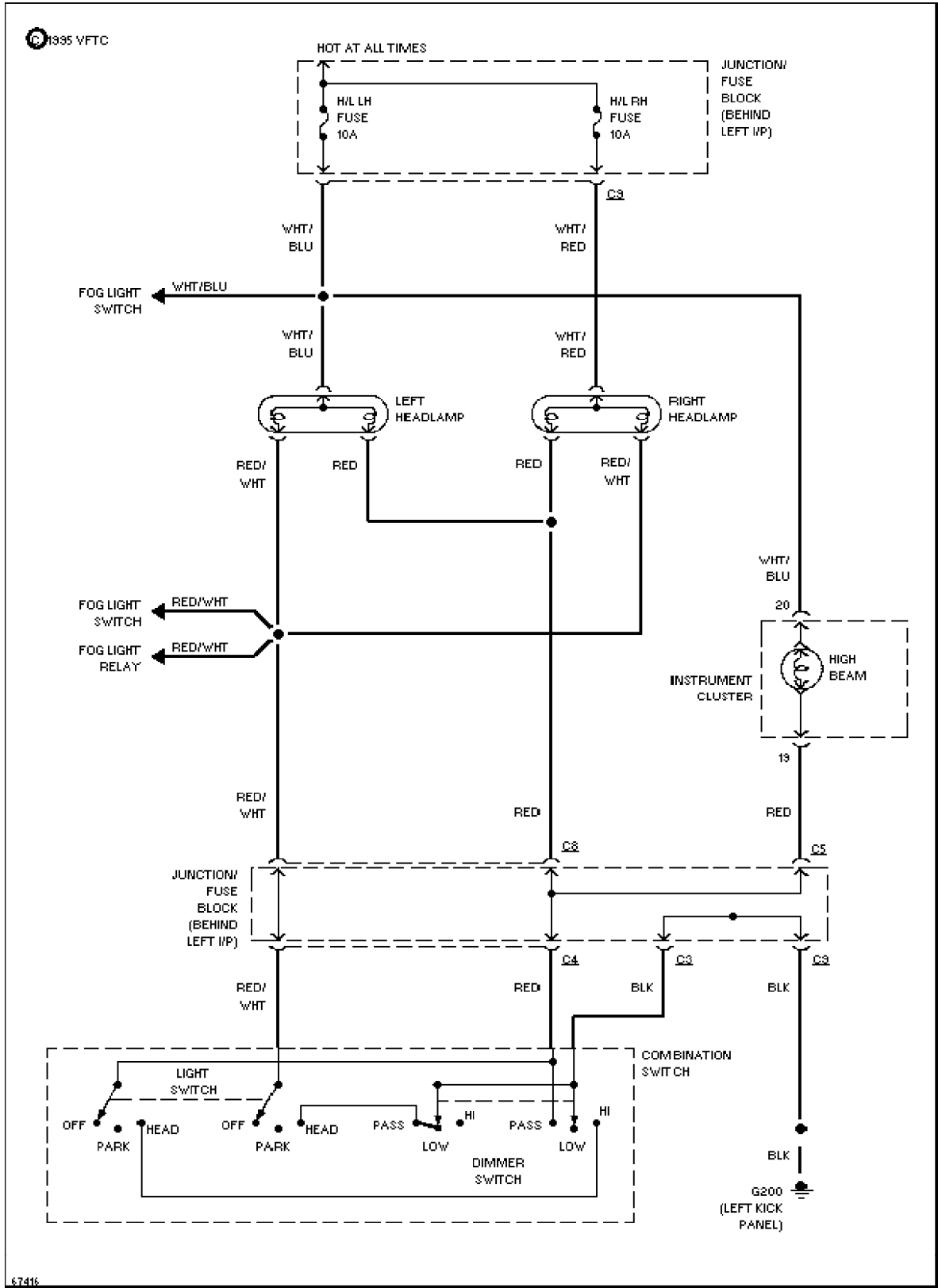
1993 Suzuki Swift



SYSTEM WIRING DIAGRAMS

Headlight Circuit, W/O DRL (p. 12)

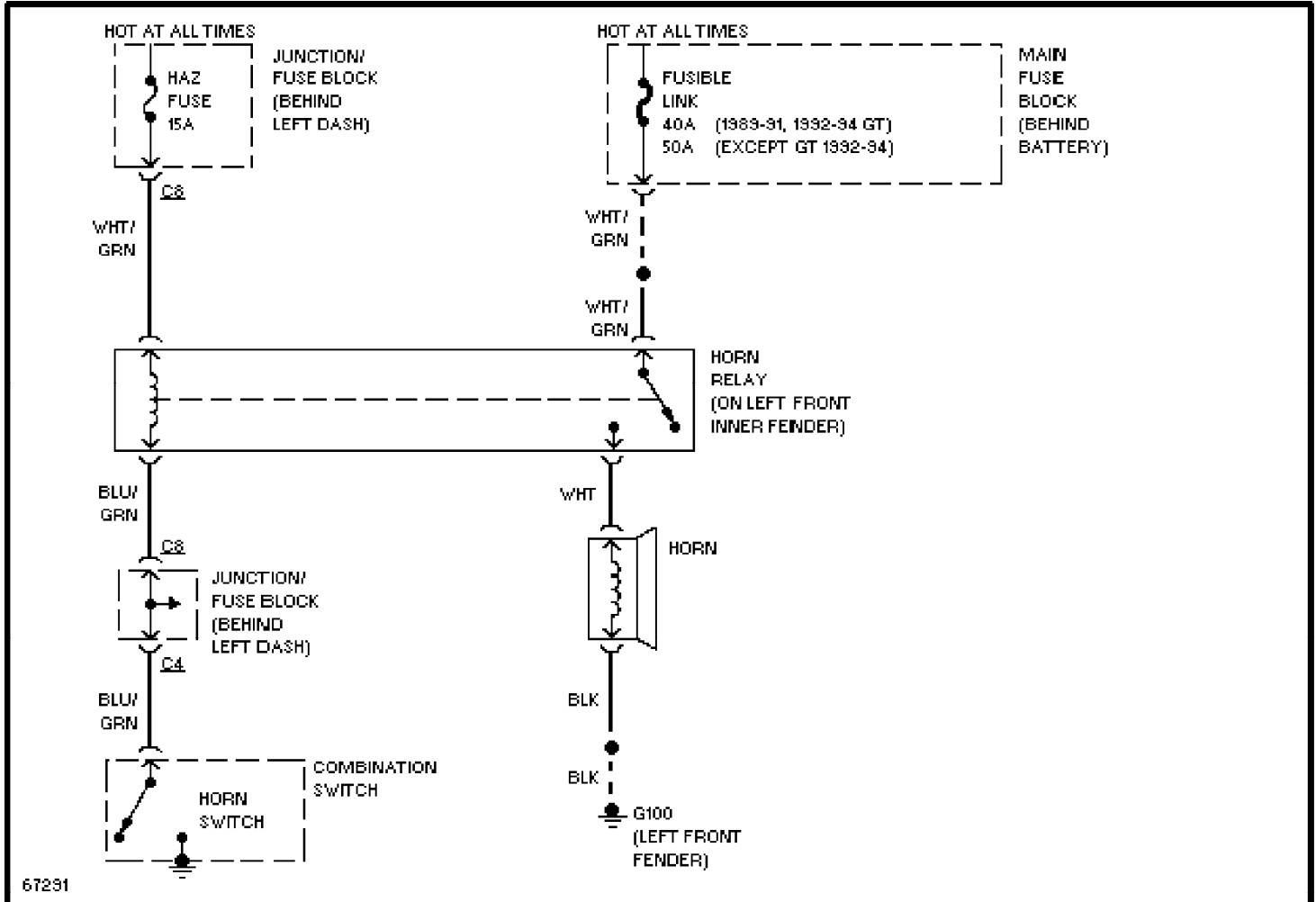
1993 Suzuki Swift



SYSTEM WIRING DIAGRAMS

Horn Circuit (p. 13)

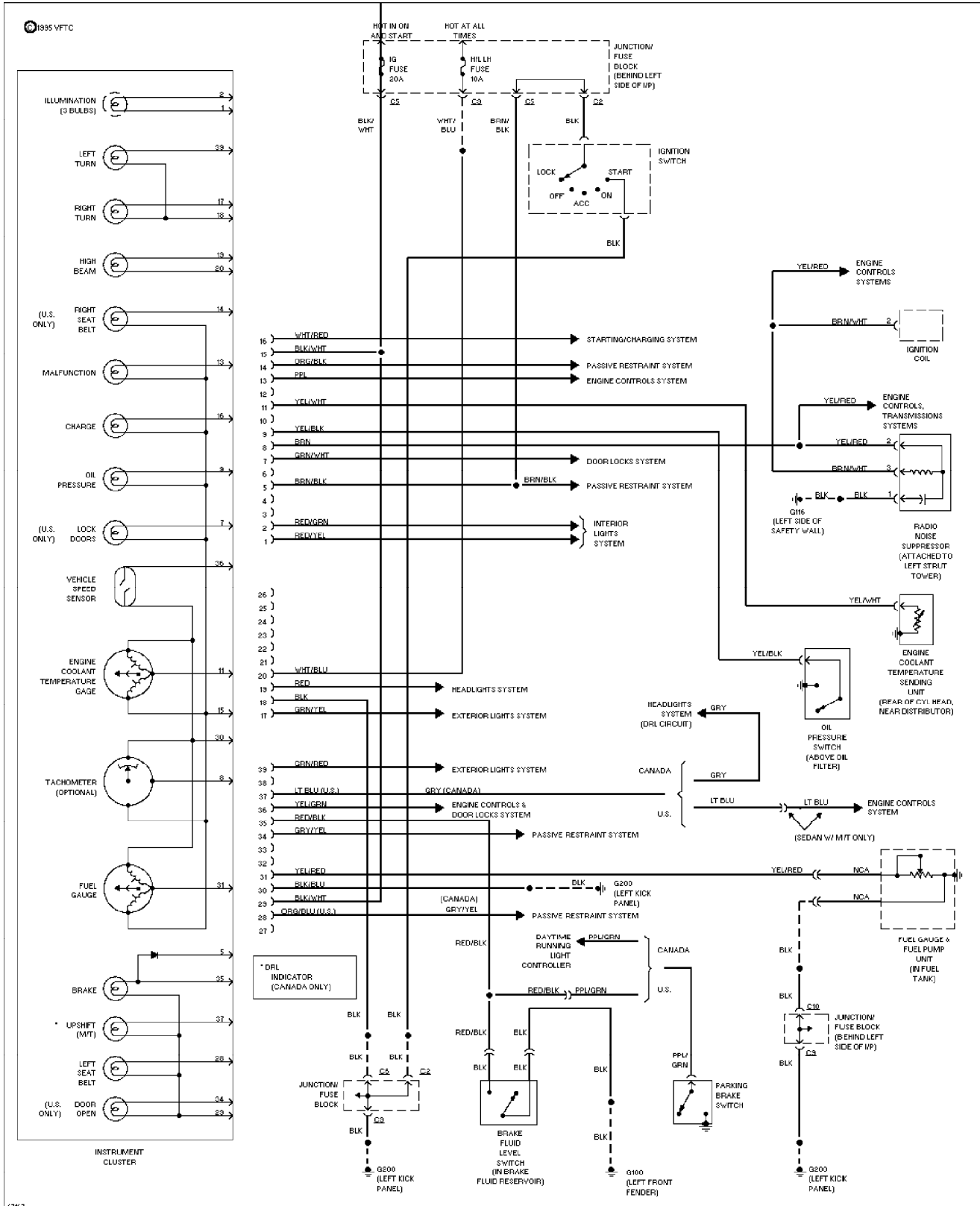
1993 Suzuki Swift



SYSTEM WIRING DIAGRAMS

Instrument Cluster Circuit (p. 14)

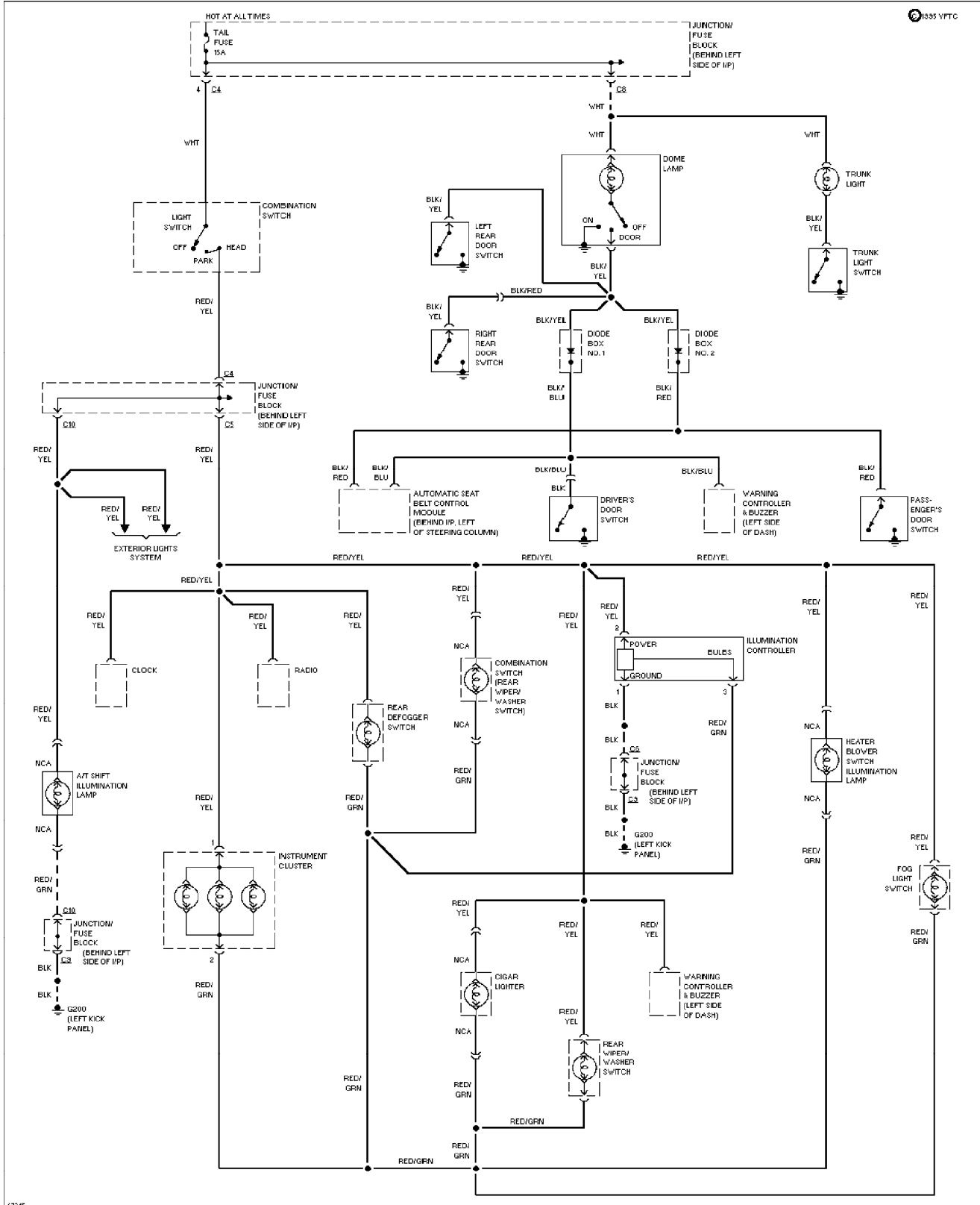
1993 Suzuki Swift



SYSTEM WIRING DIAGRAMS

Interior Light Circuit (p. 15)

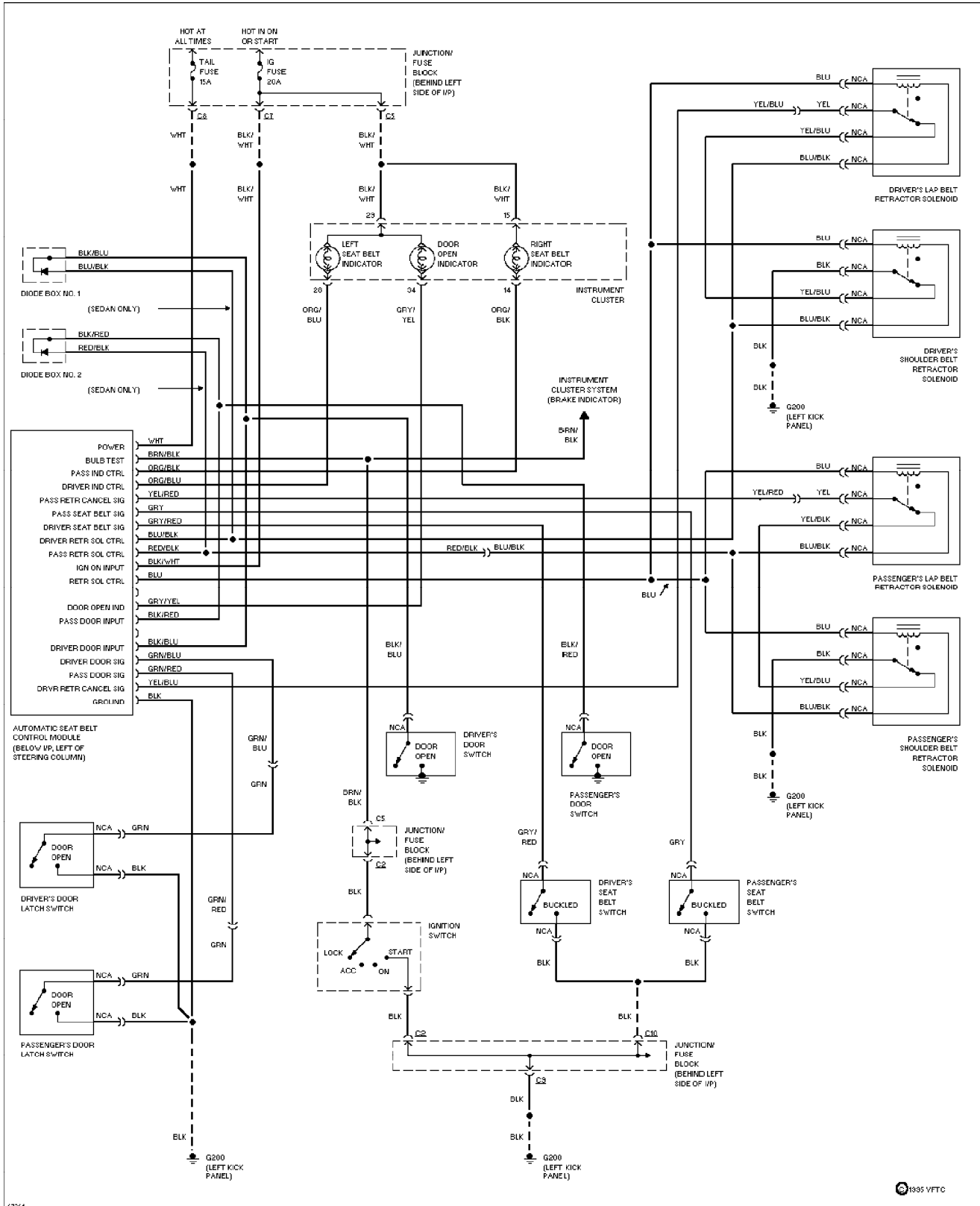
1993 Suzuki Swift



SYSTEM WIRING DIAGRAMS

Passive Restraint Circuit (p. 16)

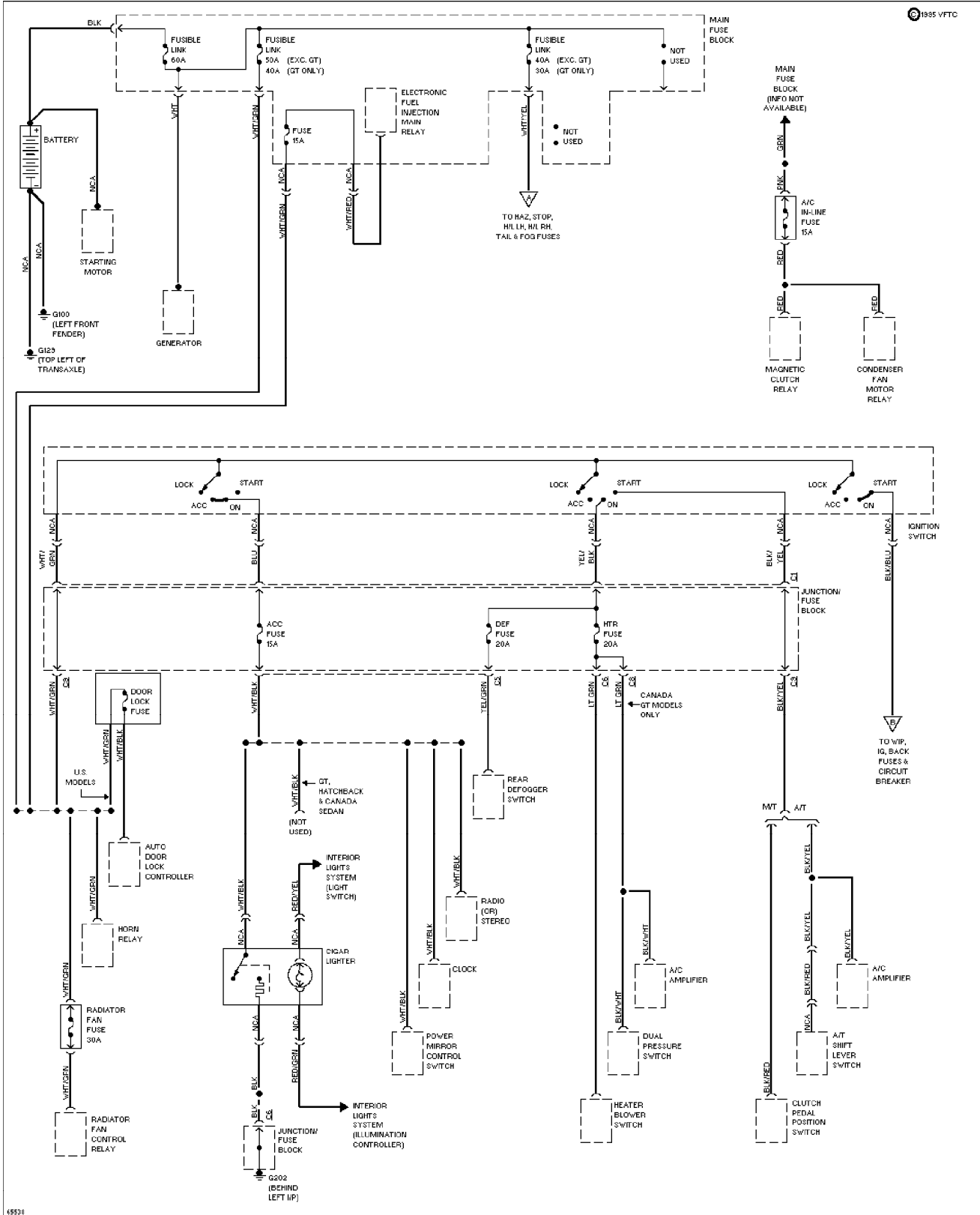
1993 Suzuki Swift



SYSTEM WIRING DIAGRAMS

Power Distribution Circuit (1 of 3) (p. 17)

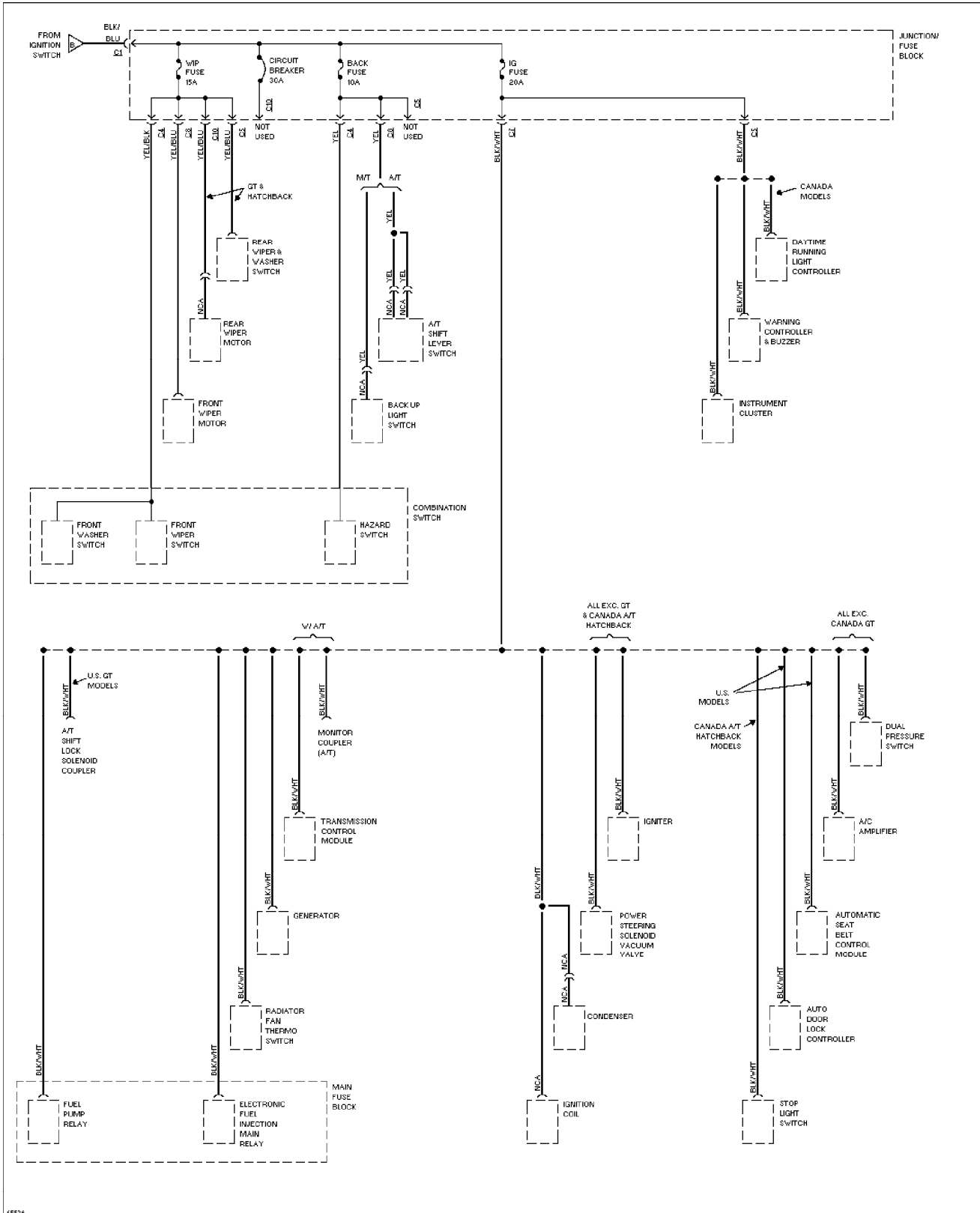
1993 Suzuki Swift



SYSTEM WIRING DIAGRAMS

Power Distribution Circuit (2 of 3) (p. 18)

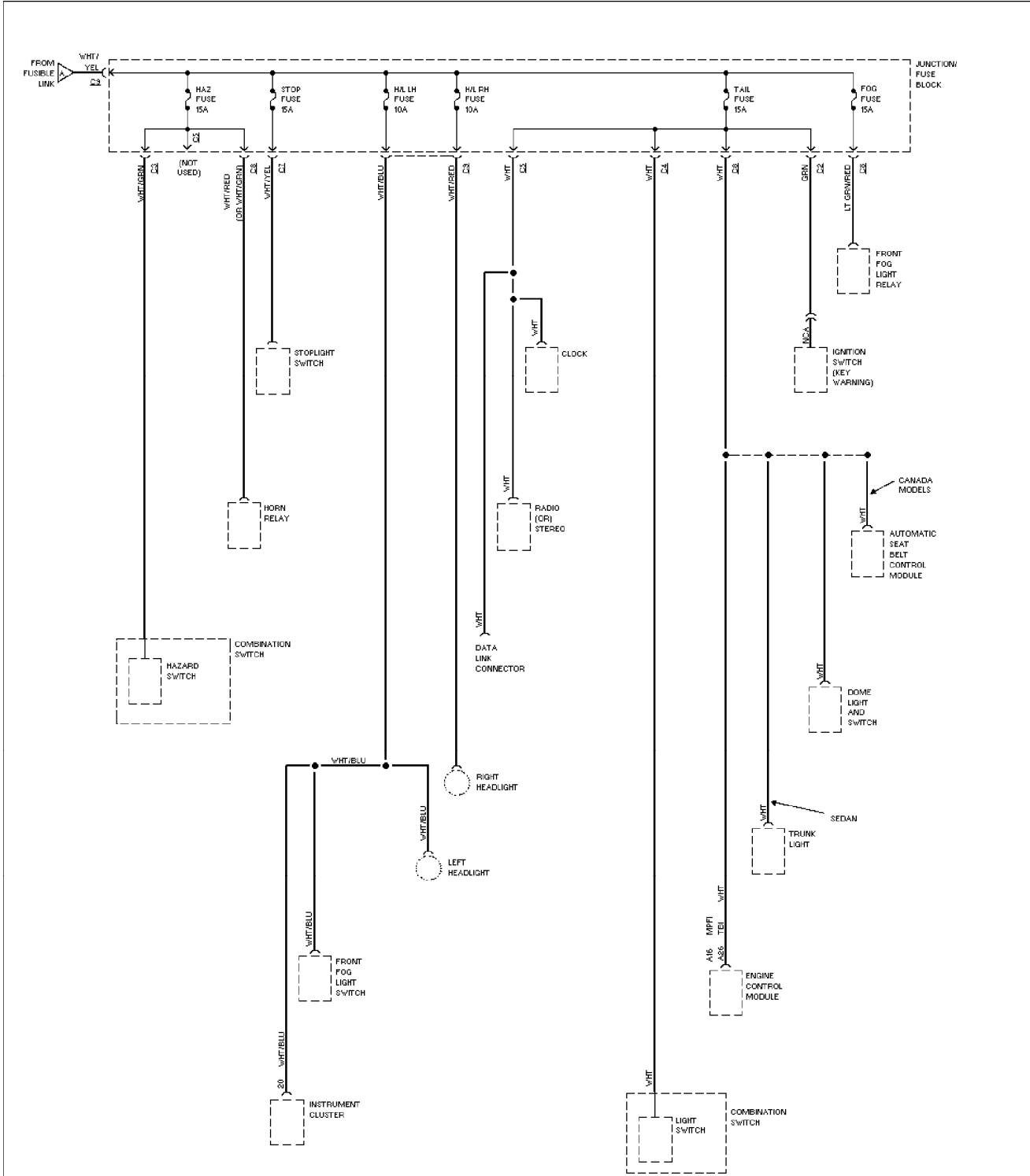
1993 Suzuki Swift



SYSTEM WIRING DIAGRAMS

Power Distribution Circuit (3 of 3) (p. 19)

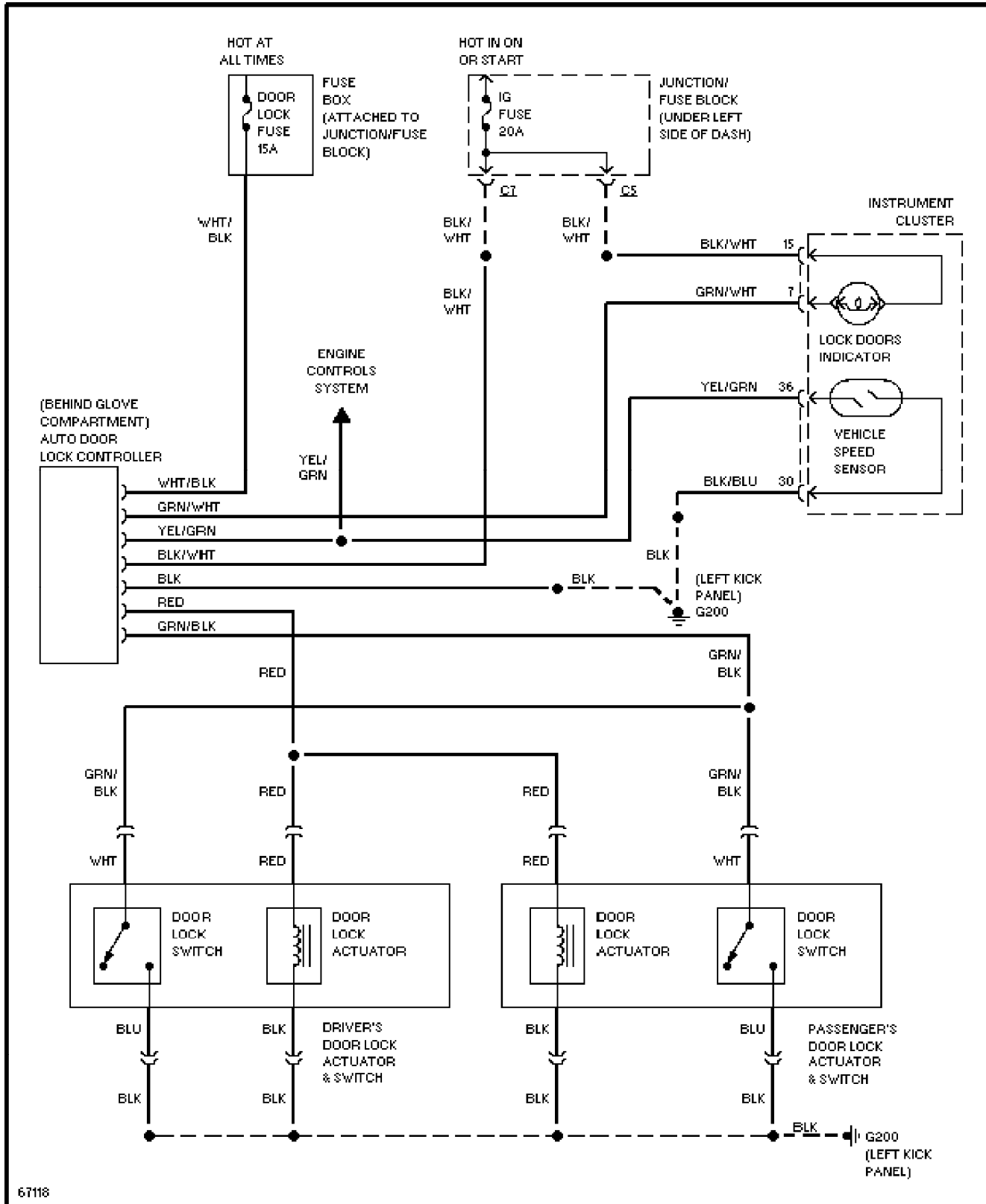
1993 Suzuki Swift



SYSTEM WIRING DIAGRAMS

Power Door Lock Circuit (p. 20)

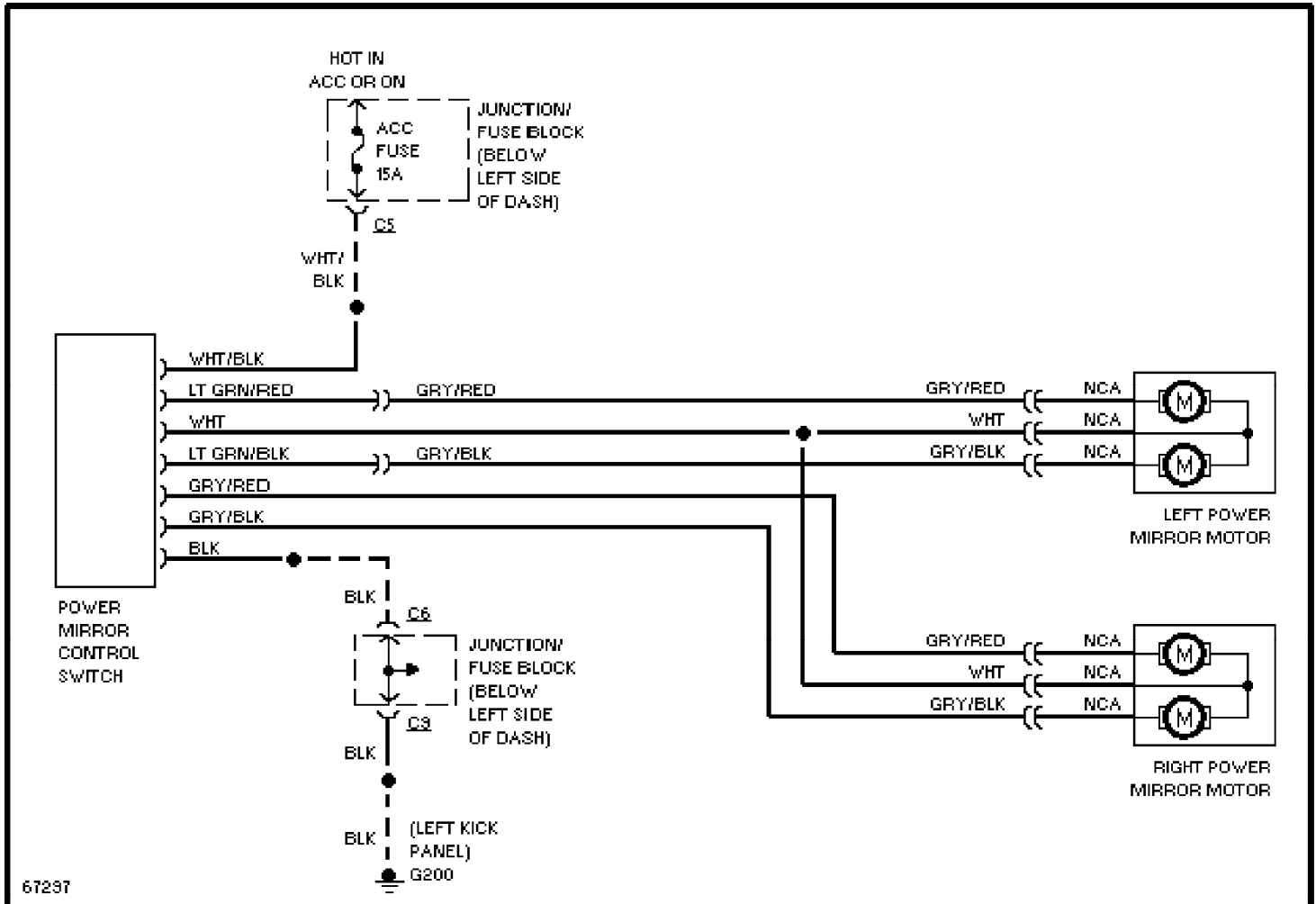
1993 Suzuki Swift



SYSTEM WIRING DIAGRAMS

Power Mirror Circuit (p. 21)

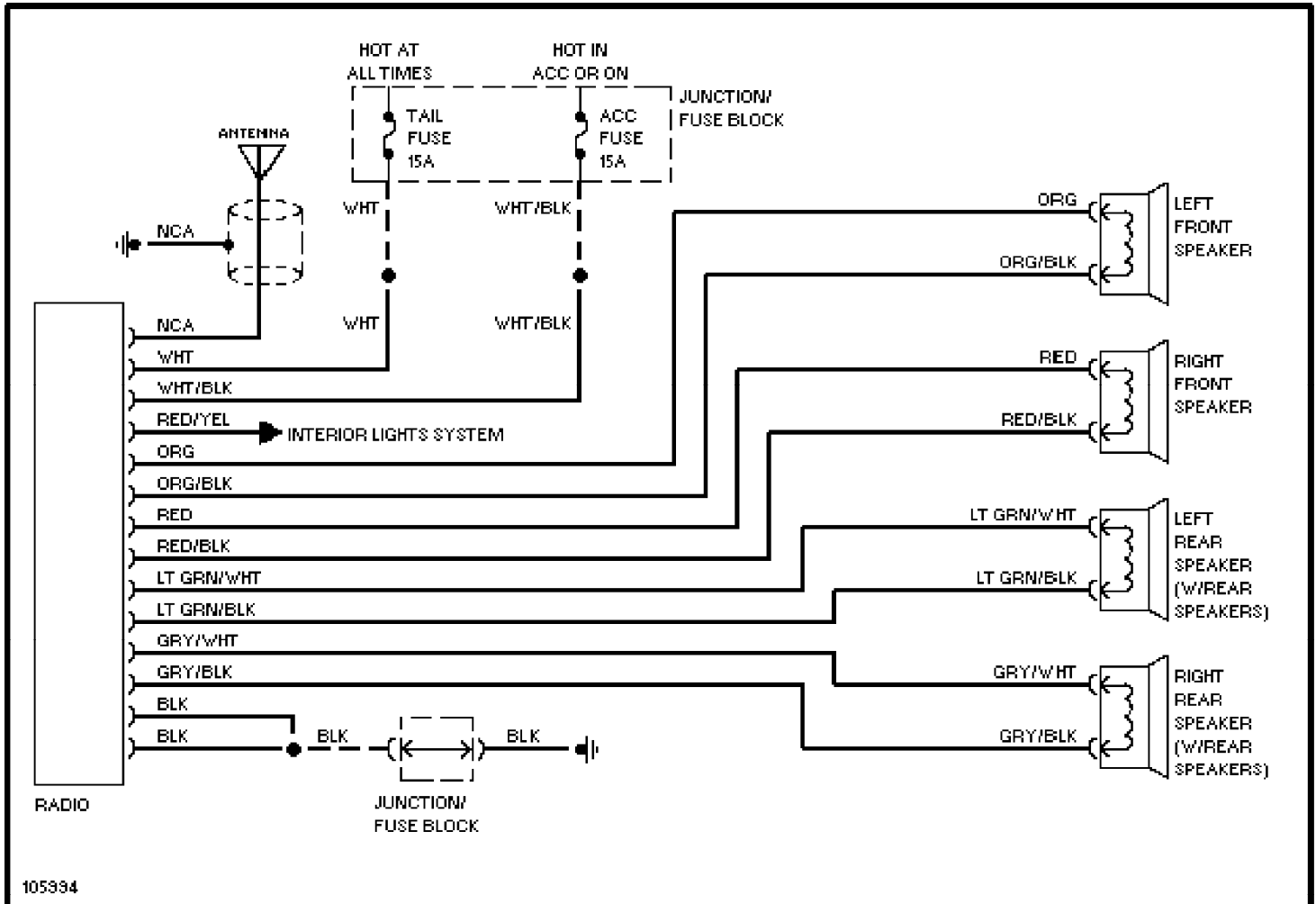
1993 Suzuki Swift



SYSTEM WIRING DIAGRAMS

Radio Circuits (p. 22)

1993 Suzuki Swift

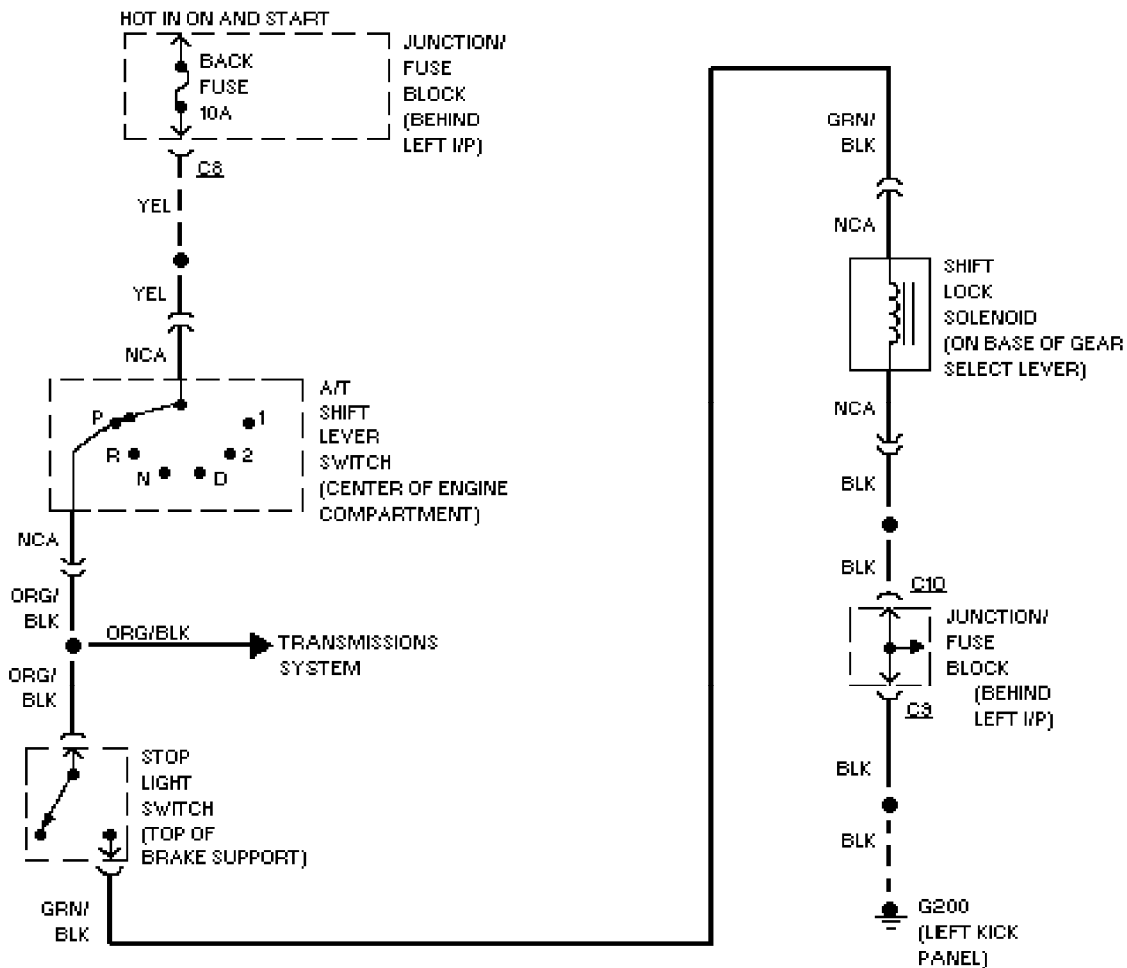


SYSTEM WIRING DIAGRAMS

Shift Interlock Circuit (p. 23)

1993 Suzuki Swift

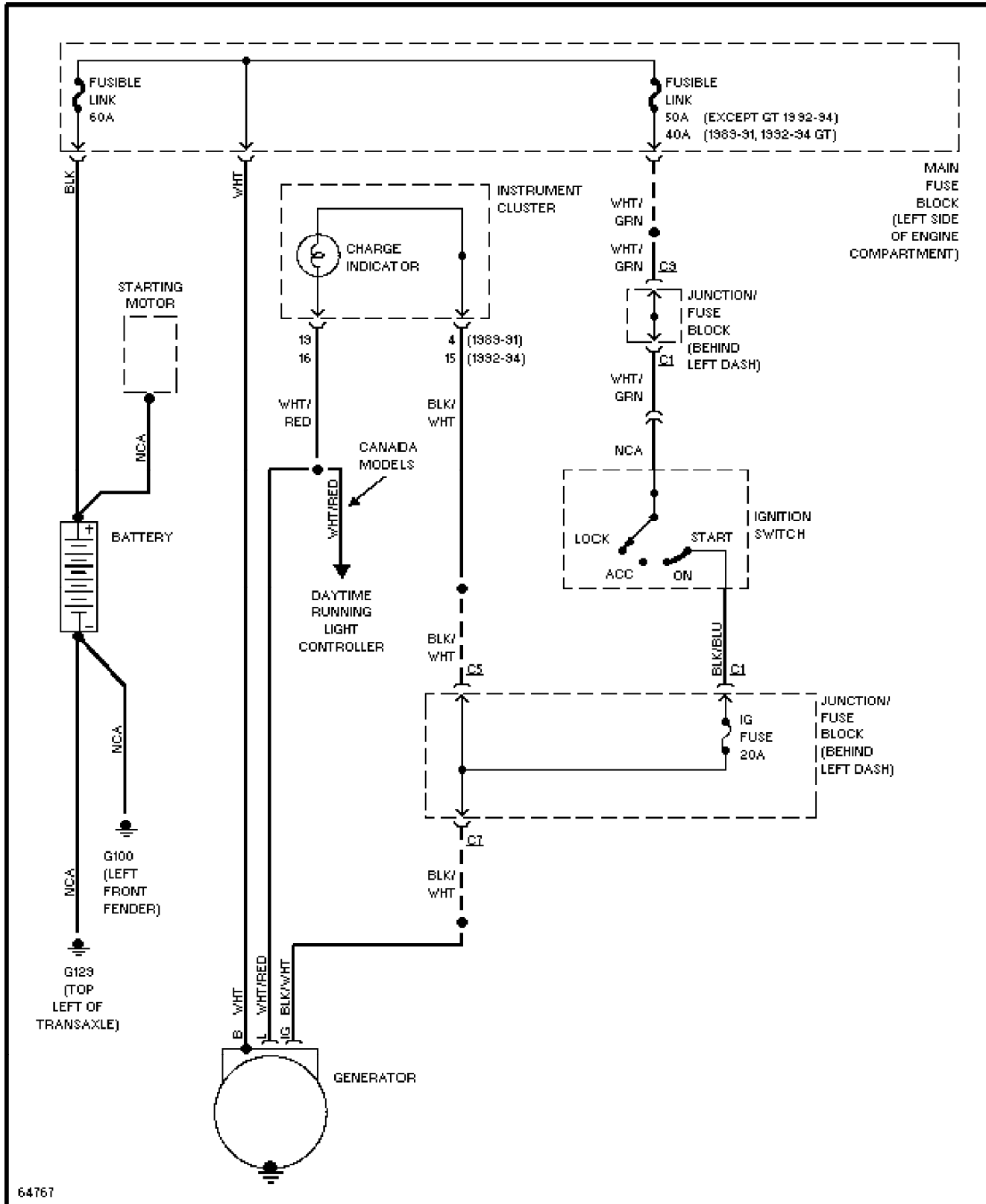
© 1995 VFTC



SYSTEM WIRING DIAGRAMS

Charging Circuit (p. 24)

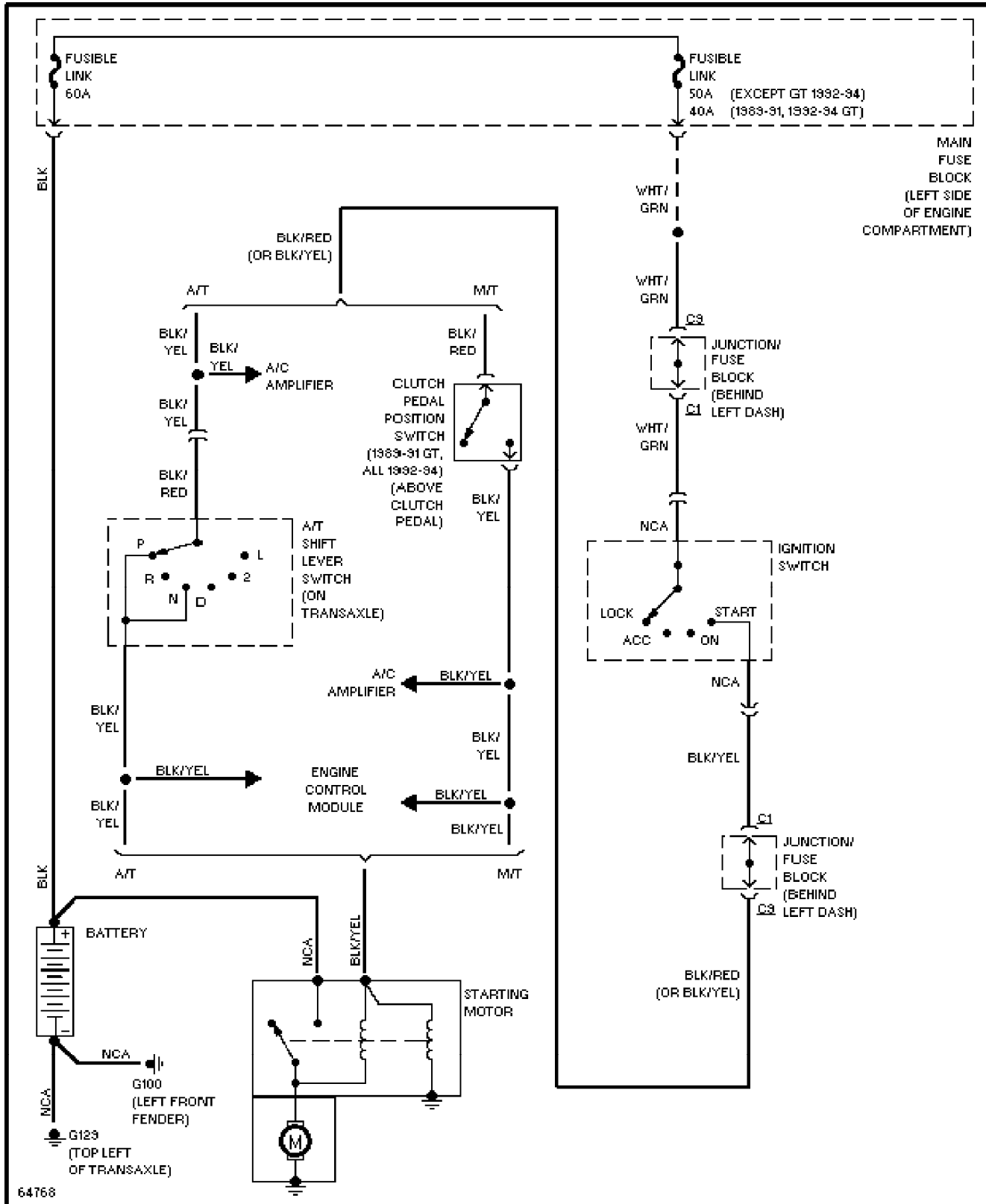
1993 Suzuki Swift



SYSTEM WIRING DIAGRAMS

Starting Circuit (p. 25)

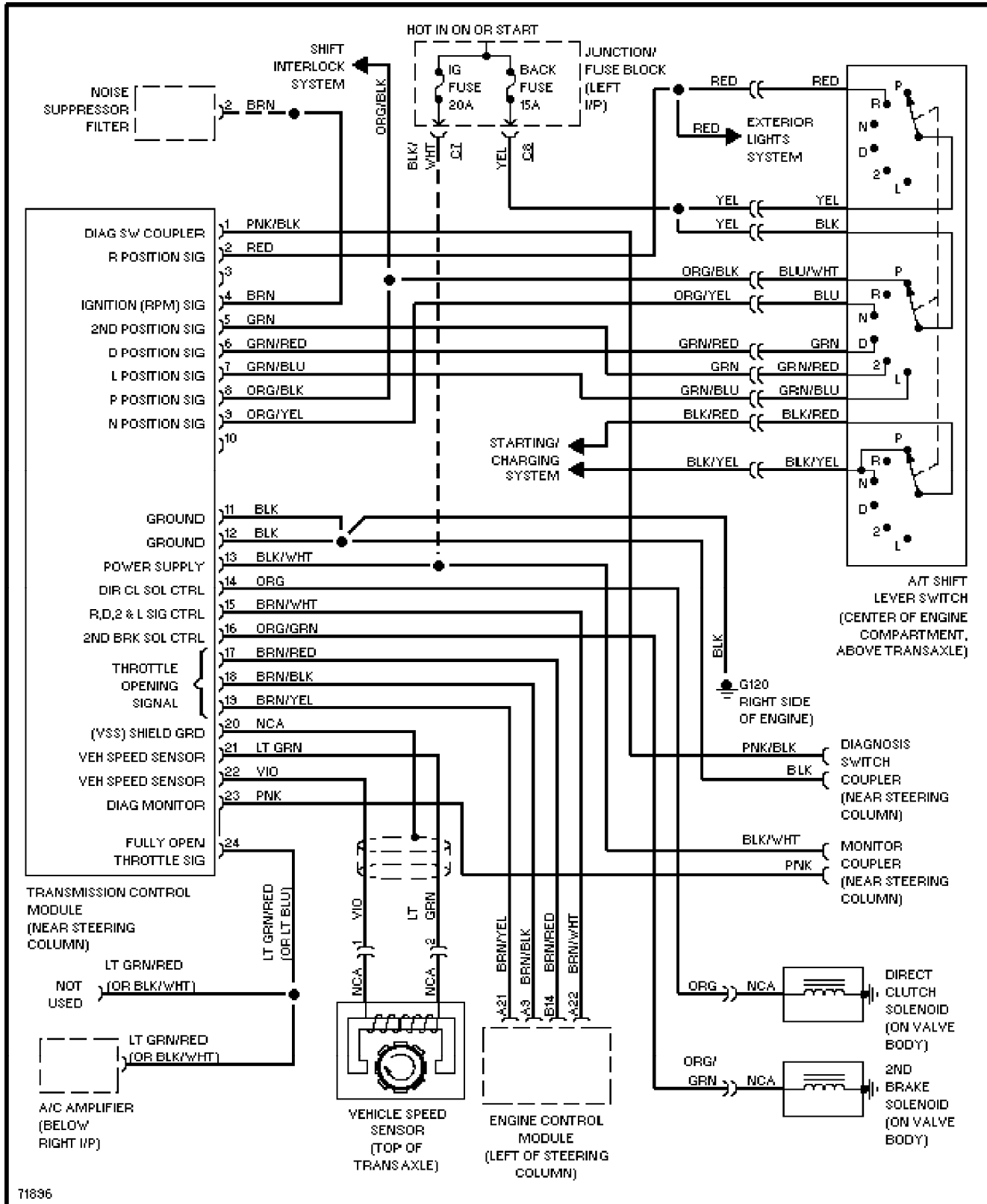
1993 Suzuki Swift



SYSTEM WIRING DIAGRAMS

Transmission Circuit (p. 26)

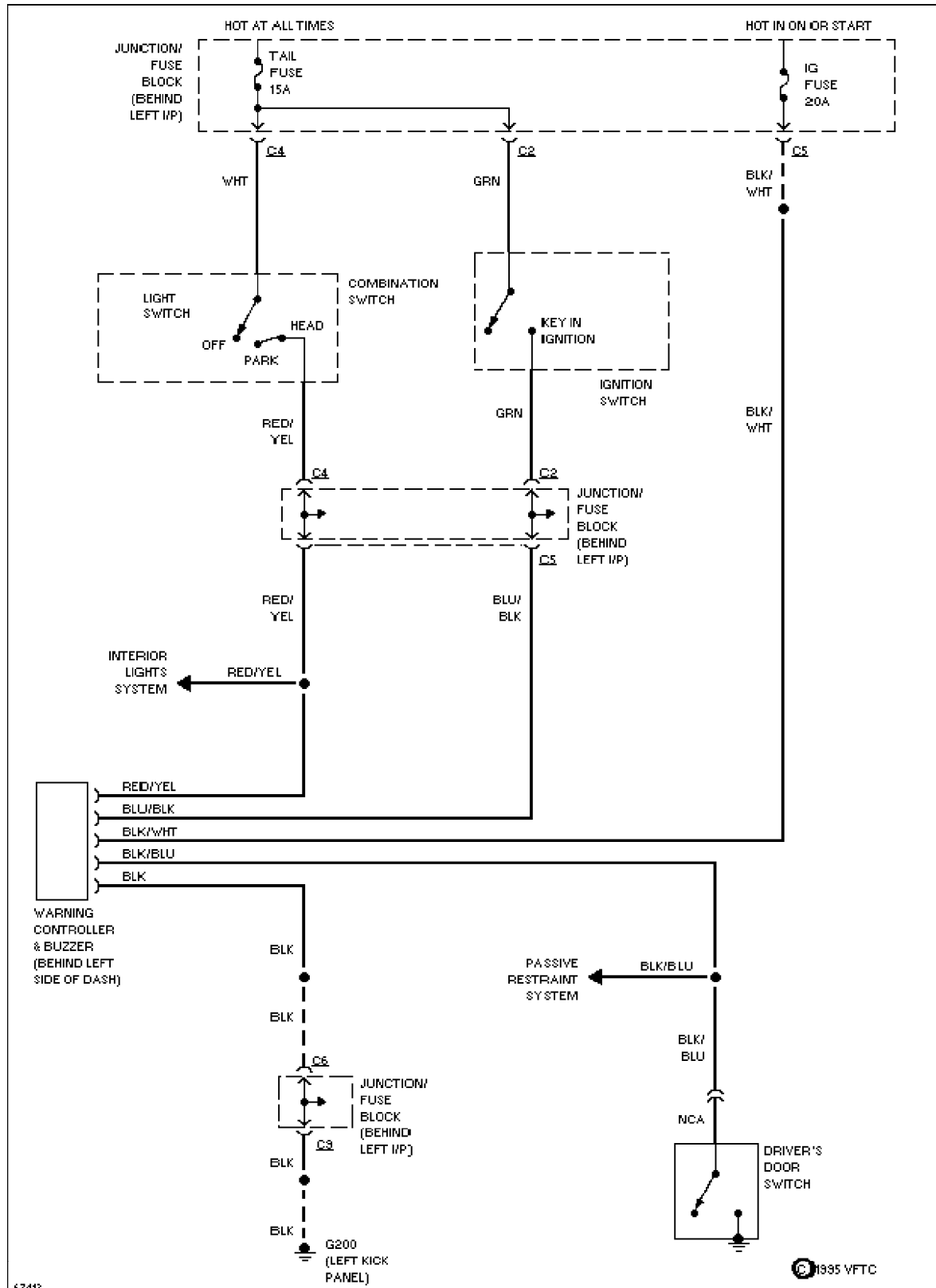
1993 Suzuki Swift



SYSTEM WIRING DIAGRAMS

Warning System Circuits (p. 27)

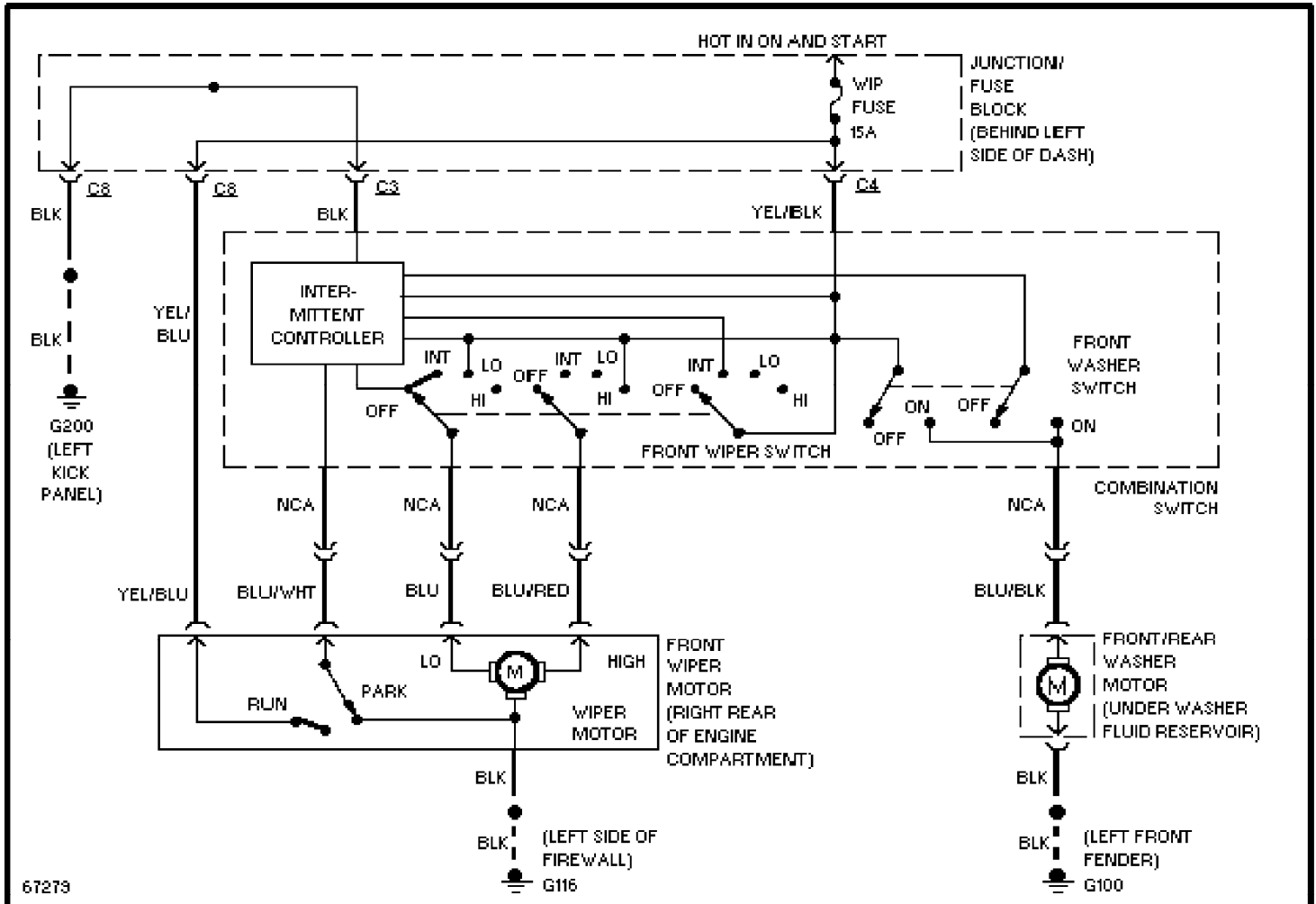
1993 Suzuki Swift



SYSTEM WIRING DIAGRAMS

Front Wiper/Washer Circuit (p. 28)

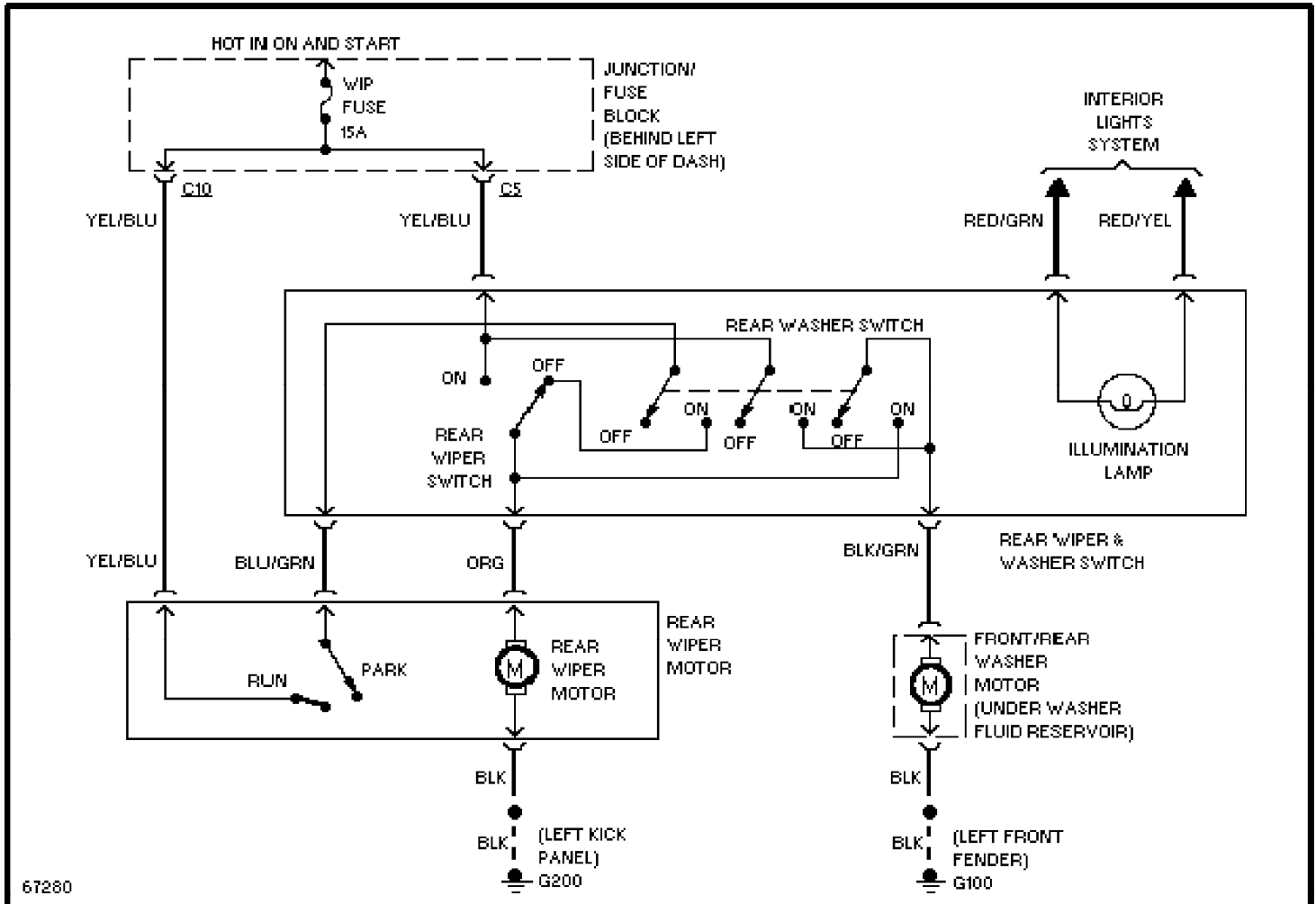
1993 Suzuki Swift



SYSTEM WIRING DIAGRAMS

Rear Wiper/Washer Circuit (p. 29)

1993 Suzuki Swift

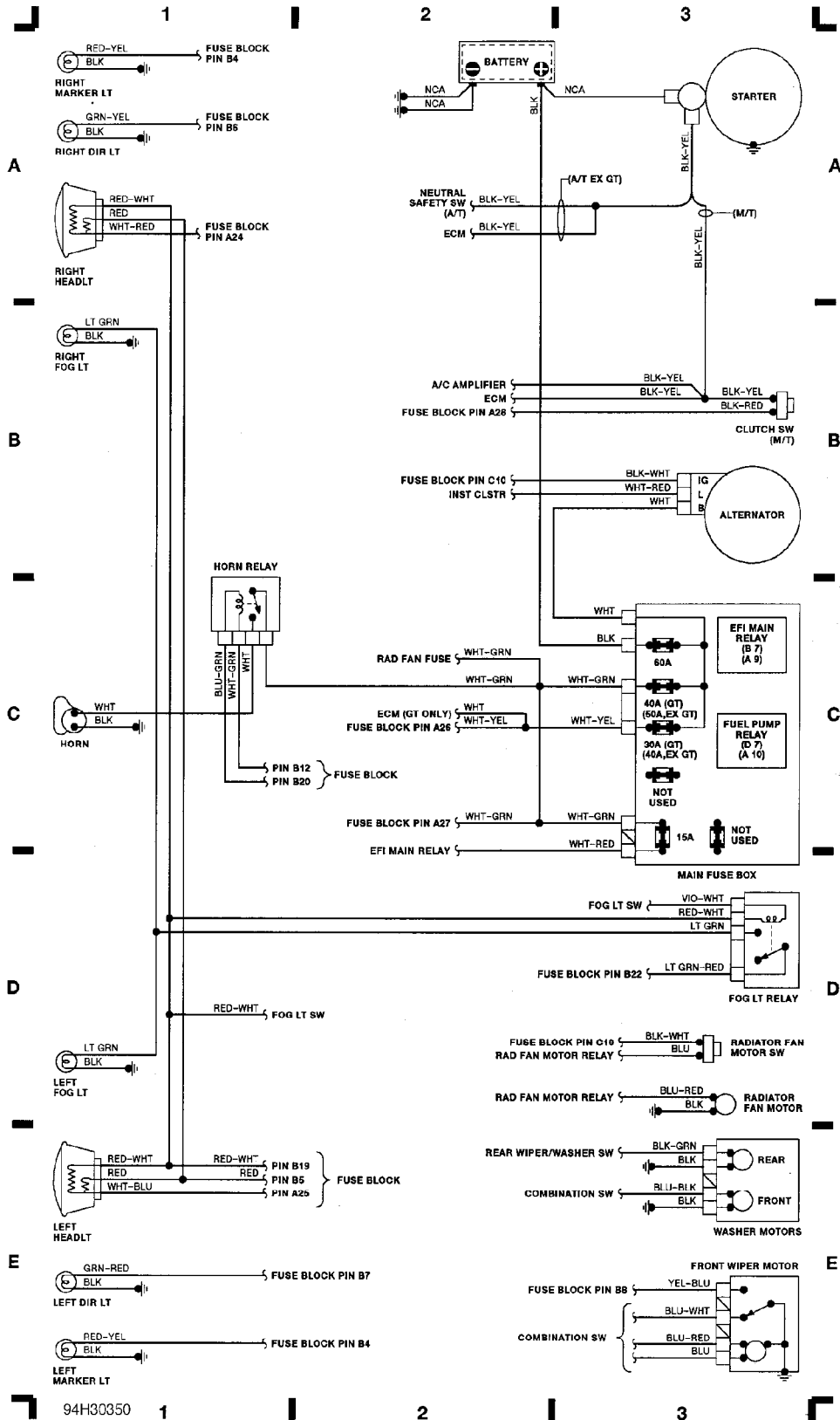


WIRING DIAGRAMS

Fig. 1: Headlights, Battery, Starter, Alternator (Grid 1-3)
1993 Suzuki Swift

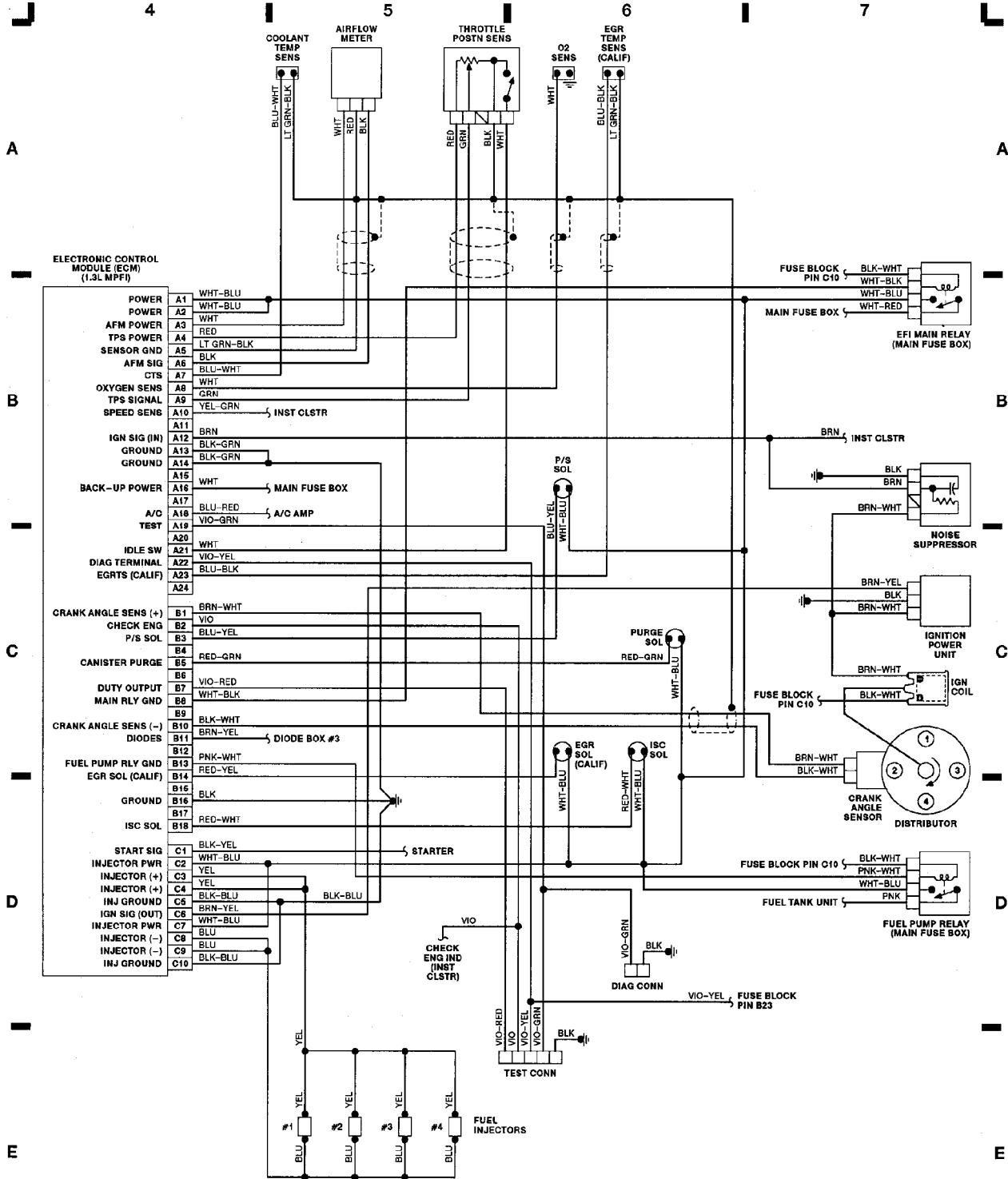
COMPONENT LOCATOR:

A/C AMPLIFIER	C 16
A/C SW	B 17
A/T CONTROL MODULE	A-D 16
A/T SHIFT ILLUM	C 17
A/T SHIFT LOCK SOL	B 18
ALTERNATOR	B 3
AUTO DOOR LOCK CIRCUIT	D-E 21-23
AUTO DOOR LOCK FUSE	B 12
AUTO SEAT BELT CONTROL MODULE	D-E 23
BACK-UP LT SW (M/T)	A 26
BATTERY	A 2
BLOWER MOTOR	A 19
CIG LIGHTER	B 19
CLOCK	C 23
CLUTCH SW (M/T)	B 3
COMBINATION SW	B-D 19
DEFOG SW	E 19
DIODE BOX #3	C 24
DISTRIBUTOR (1.3L TBI)	D 11
DOME LT	C 22
EFI MAIN RELAY (1.3L MPFI)	A-B 7
EFI MAIN RELAY (1.3L TBI)	A 9
ELECTRONIC CONTROL MODULE (ECM) (1.3L MPFI)	B-D 4
ELECTRONIC CONTROL MODULE (ECM) (1.3L TBI)	B-D 8
FOG LT RELAY	D 3
FOG LT SW	B 24
FRONT WIPER MOTOR	E 3
FUEL PUMP RELAY (1.3L MPFI)	D 7
FUEL PUMP RELAY (1.3L TBI)	A 10
FUEL TANK UNIT	B 23
FUSE BLOCK	A-D 13-15
HEATER BLOWER SW	A 19
HORN RELAY	C 1
IGNITION COIL (1.3L MPFI)	D-E 11
IGNITION SW	A 14
ILLUM LT'S RHESIST	E 19
INSTRUMENT CLUSTER	A-C 20
MAIN FUSE BOX	C 3
NEUTRAL SAFETY SW (A/T)	A 16
POWER MIRROR CONTROL SW	D 24
RADIATOR FAN FUSE	E 17
RADIATOR FAN MOTOR	D 3
RADIATOR FAN MOTOR RELAY	E 18
RADIATOR FAN MOTOR SW	D 3
REAR WIPER MOTOR	A 25
REAR WIPER/WASHER SW	A 24
STARTER	A 3
STOP LT SW	C 27
TRUNK LT	B 24
WARNING BUZZER	B 23
WASHER MOTORS	E 3



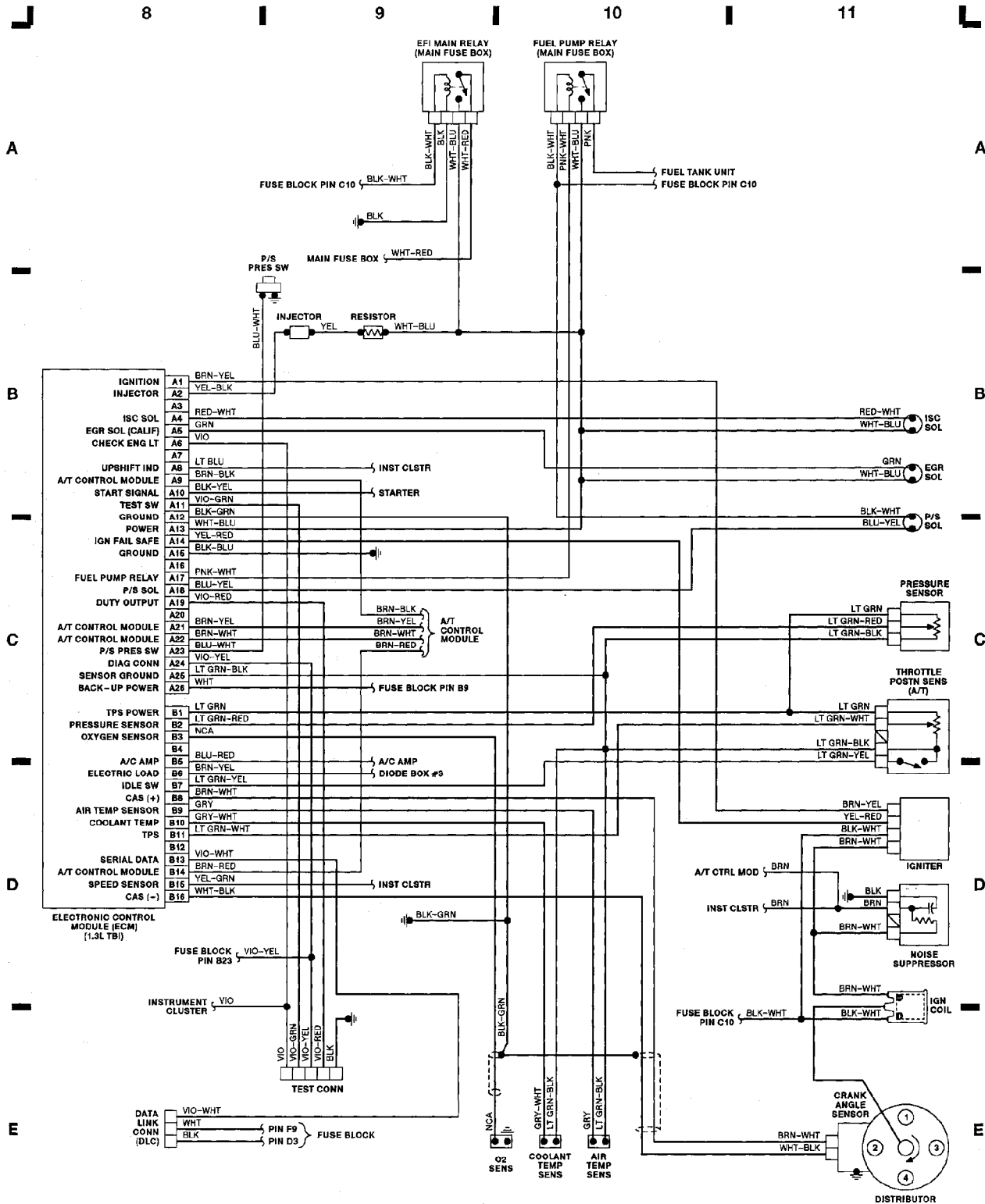
WIRING DIAGRAMS

Fig. 2: ECM (1.3L MPFI), Fuel Injectors, Airflow Meter (Grid 4-7) (p. 2)
1993 Suzuki Swift

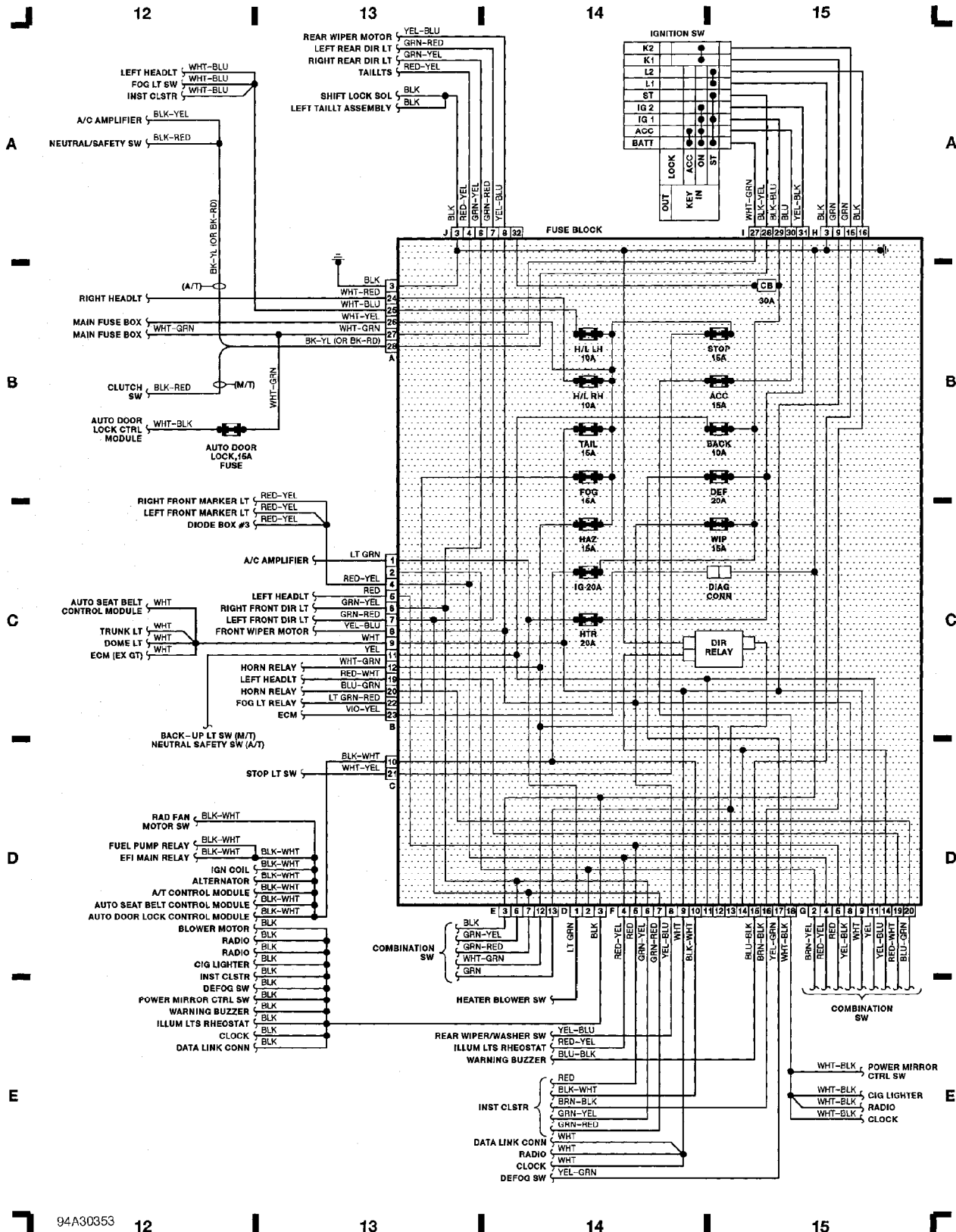


WIRING DIAGRAMS

Fig. 3: ECM (1.3L TBI), EFI Main Relay, Igniter (Grid 8-11) (p. 3)
1993 Suzuki Swift

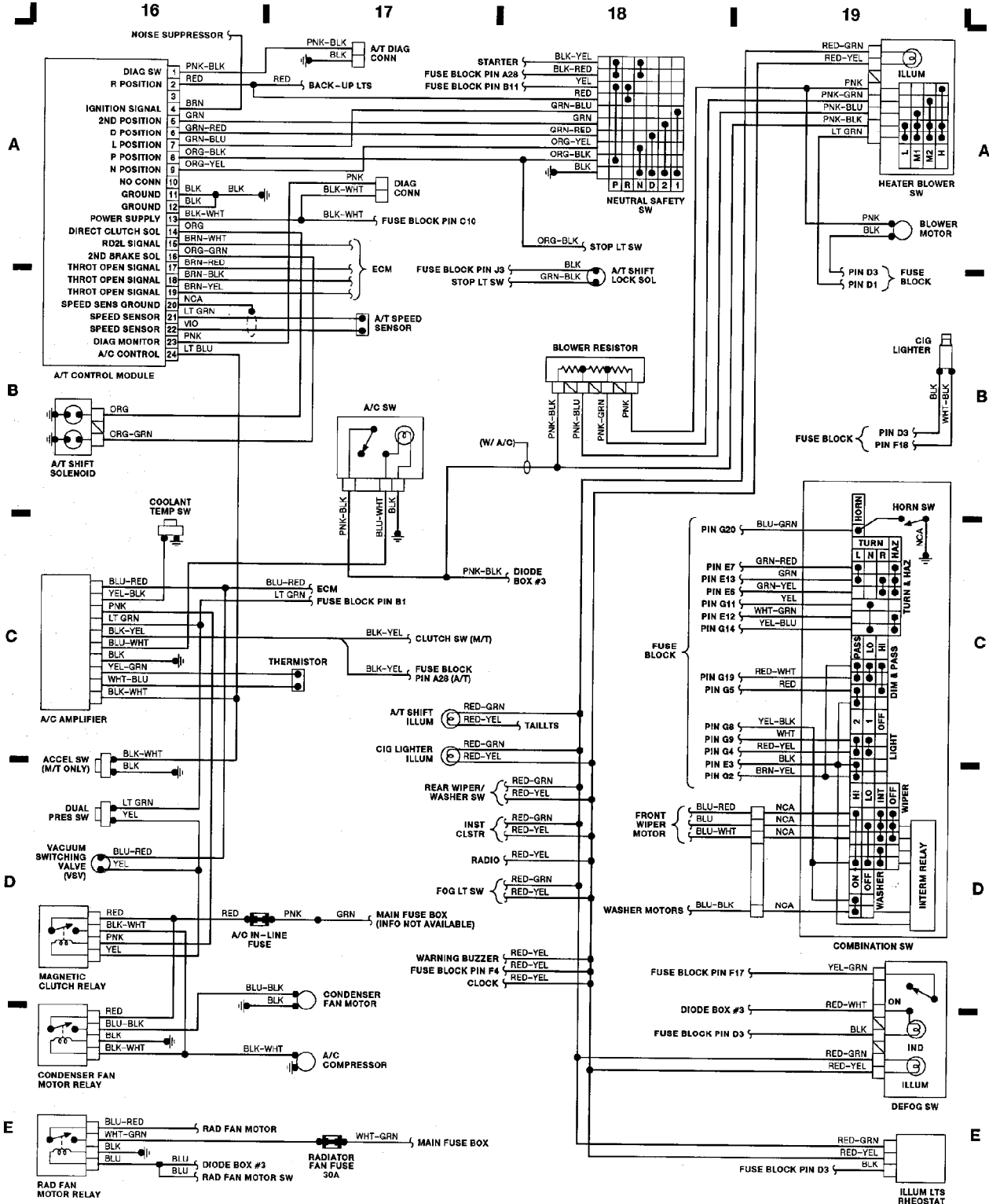


WIRING DIAGRAMS
Fig. 4: Fuse Block, Ignition Sw (Grid 12-15) (p. 4)
 1993 Suzuki Swift



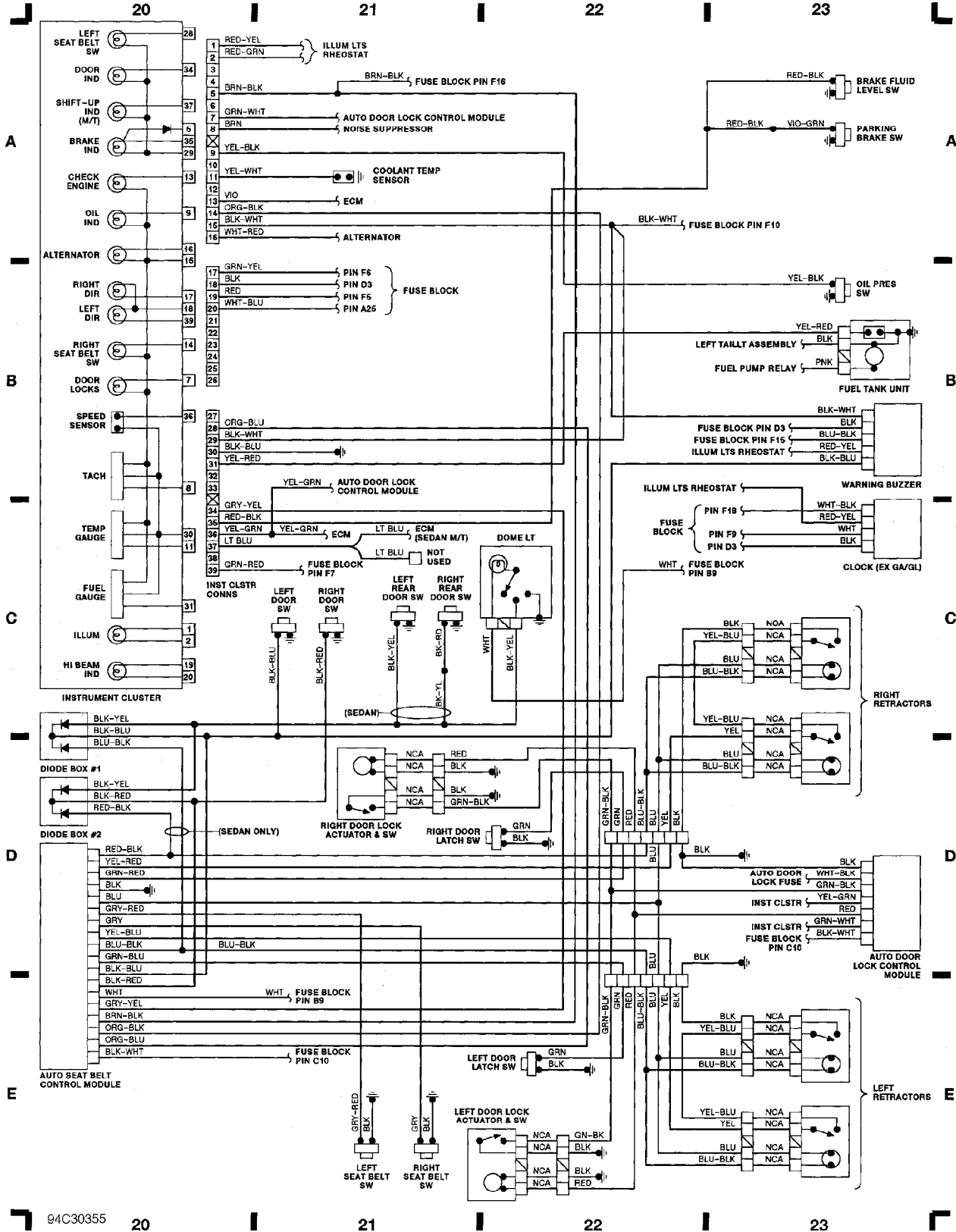
WIRING DIAGRAMS

Fig. 5: AT Ctrl Mod, A/C Amp, Combo Sw, Heater/Blower (Grid 16-19) (p. 5)
1993 Suzuki Swift



WIRING DIAGRAMS

Fig. 6: Instrument Clstr, Seat Belt Ctrl Mod, Clock (Grid 20-23) (p. 6)
1993 Suzuki Swift



WIRING DIAGRAMS

Fig. 7: Taillights, Pwr Mirrors, Rear Wipers (Grid 24-27) (p. 7)
1993 Suzuki Swift

