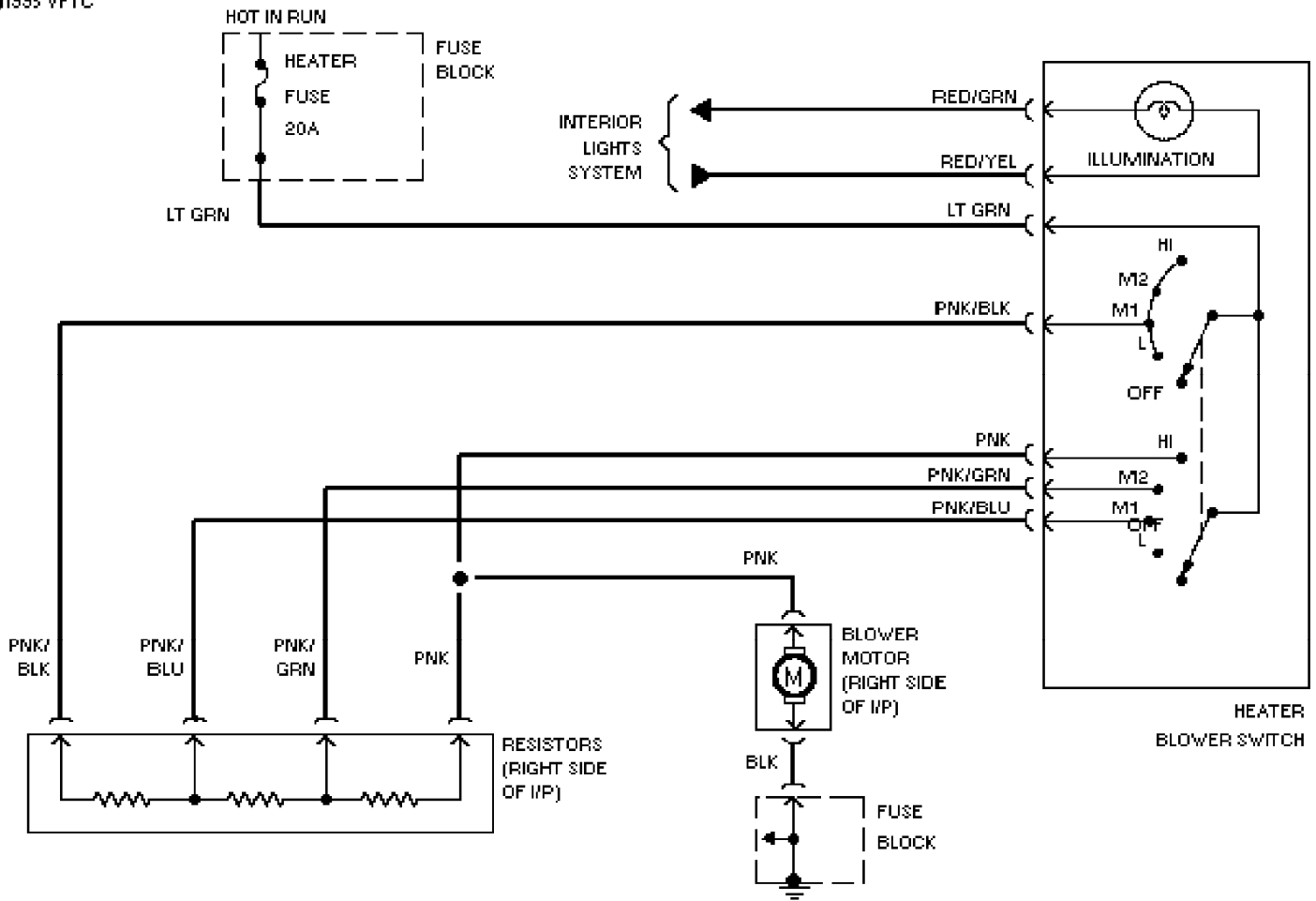


SYSTEM WIRING DIAGRAMS

Heater Circuit (p. 2)

1992 Suzuki Swift

© 1995 YFTC

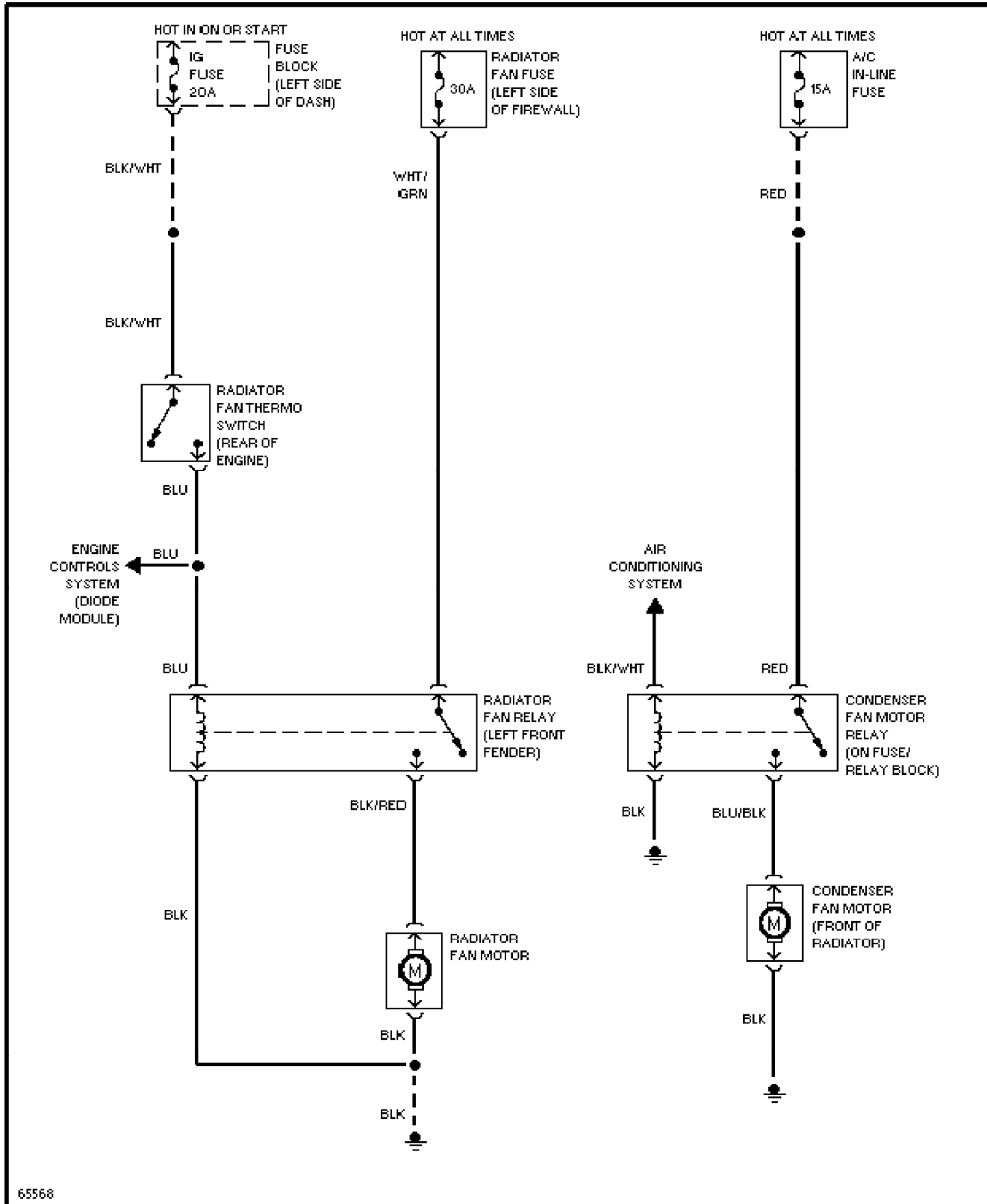


66083

SYSTEM WIRING DIAGRAMS

Cooling Fan Circuit (p. 3)

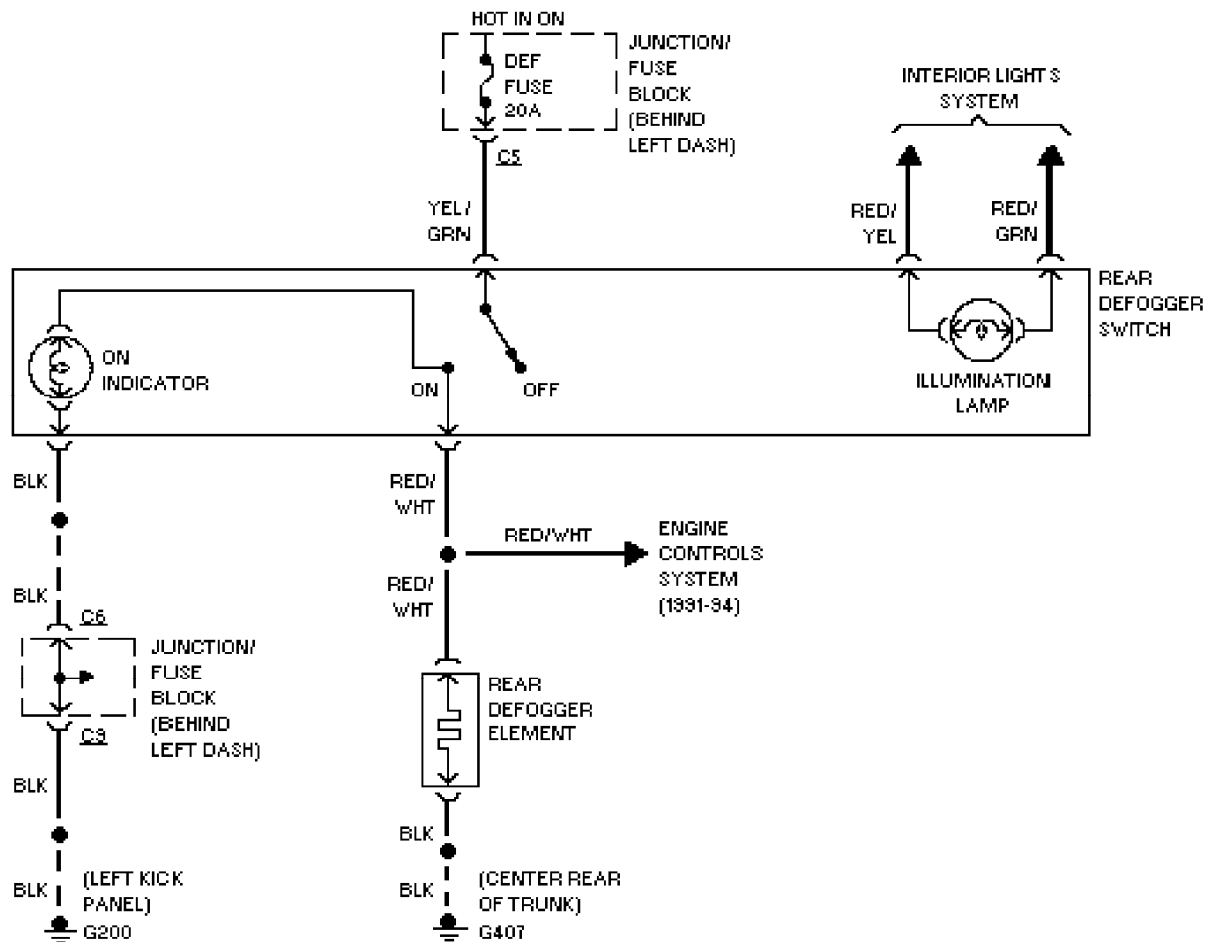
1992 Suzuki Swift



SYSTEM WIRING DIAGRAMS

Defogger Circuit (p. 4)

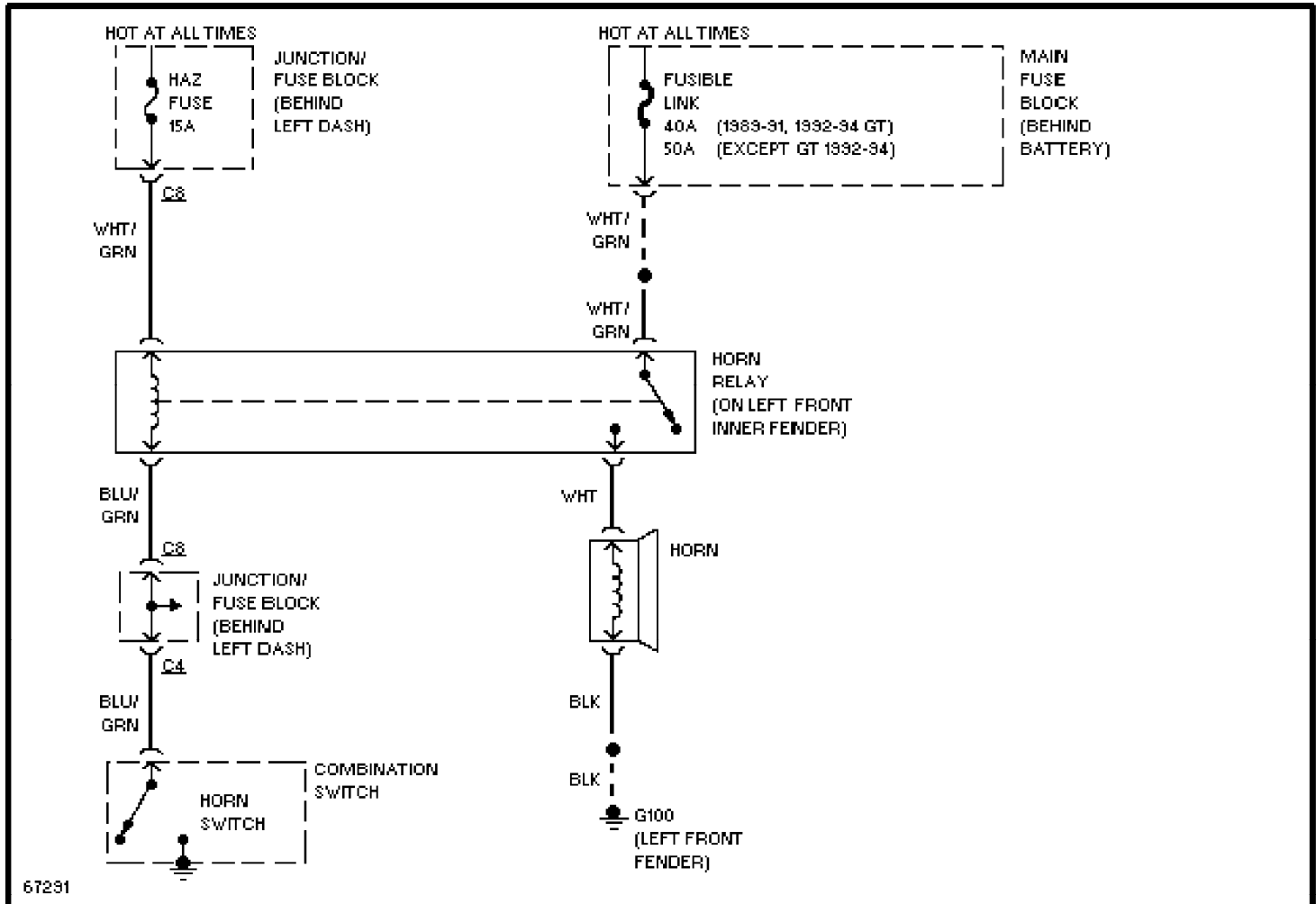
1992 Suzuki Swift



SYSTEM WIRING DIAGRAMS

Horn Circuit (p. 5)

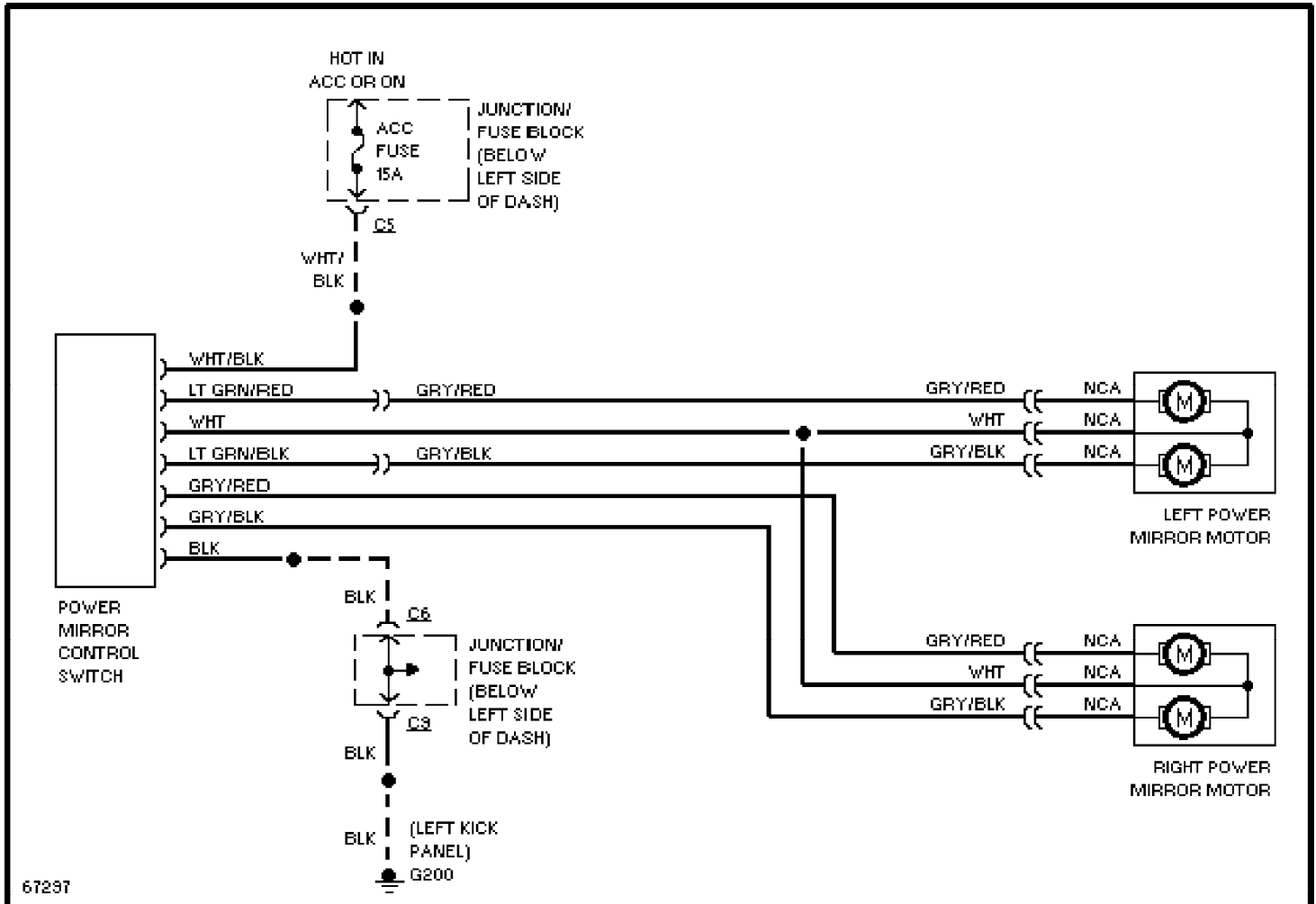
1992 Suzuki Swift



SYSTEM WIRING DIAGRAMS

Power Mirror Circuit (p. 6)

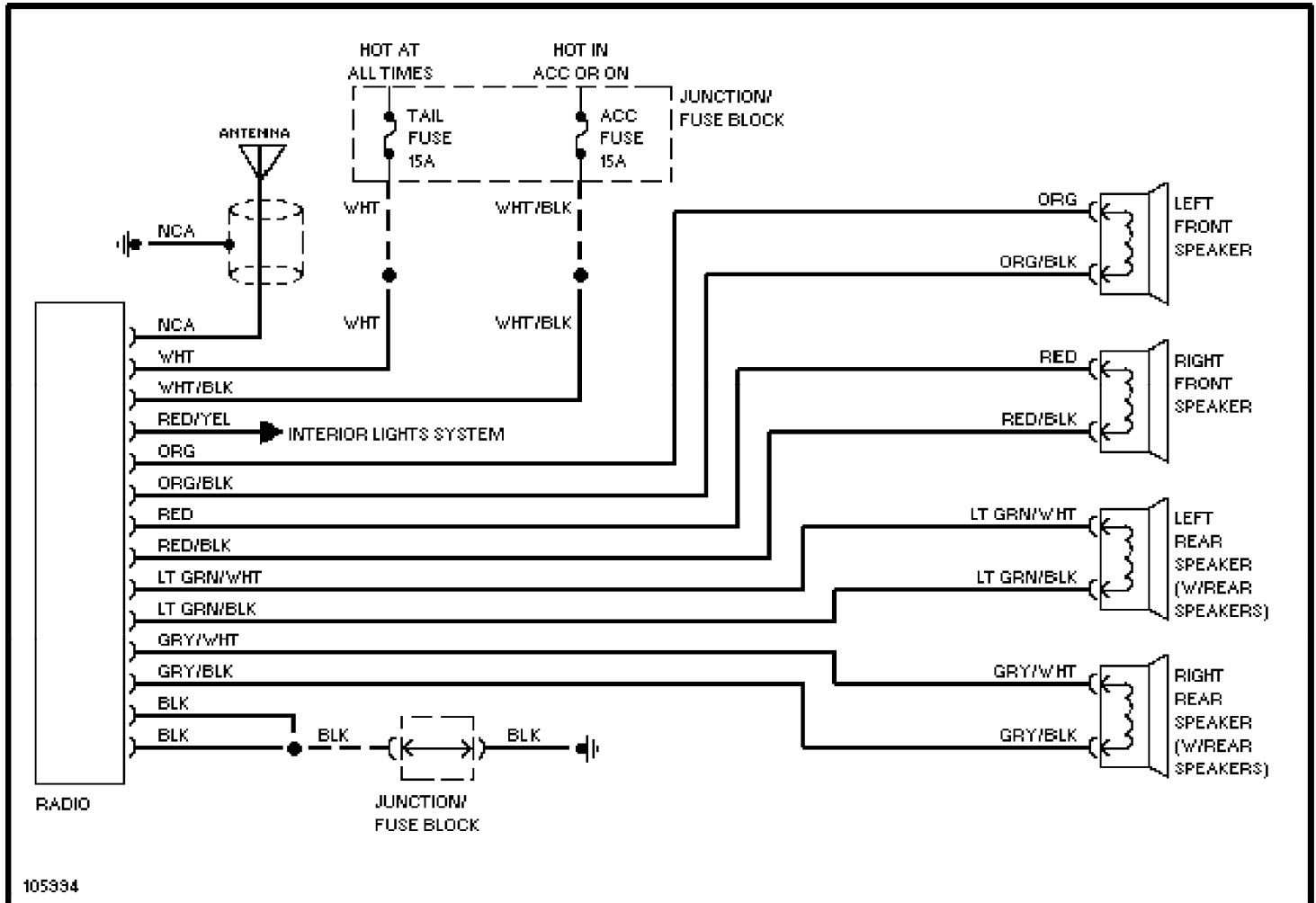
1992 Suzuki Swift



SYSTEM WIRING DIAGRAMS

Radio Circuits (p. 7)

1992 Suzuki Swift

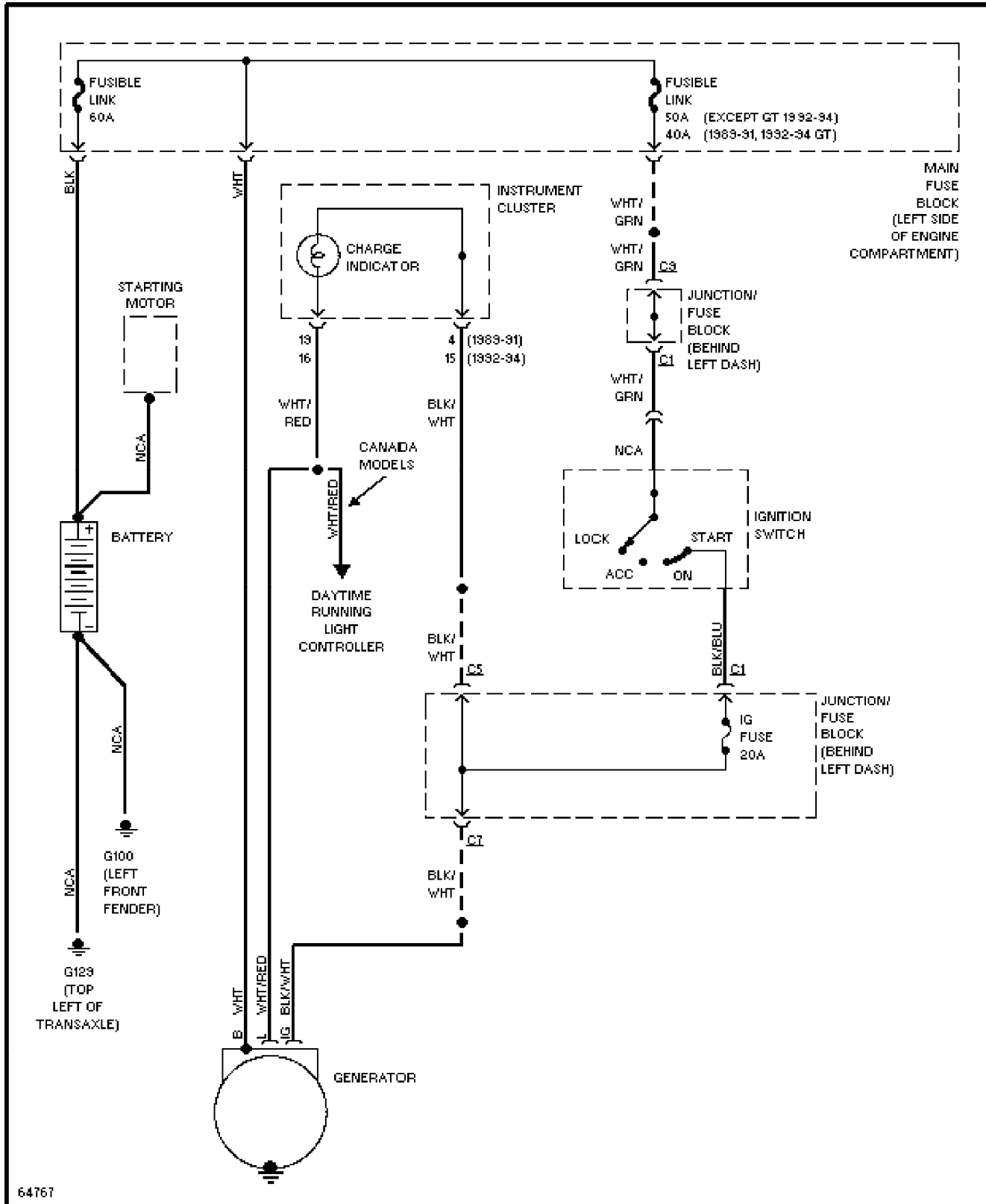


105934

SYSTEM WIRING DIAGRAMS

Charging Circuit (p. 8)

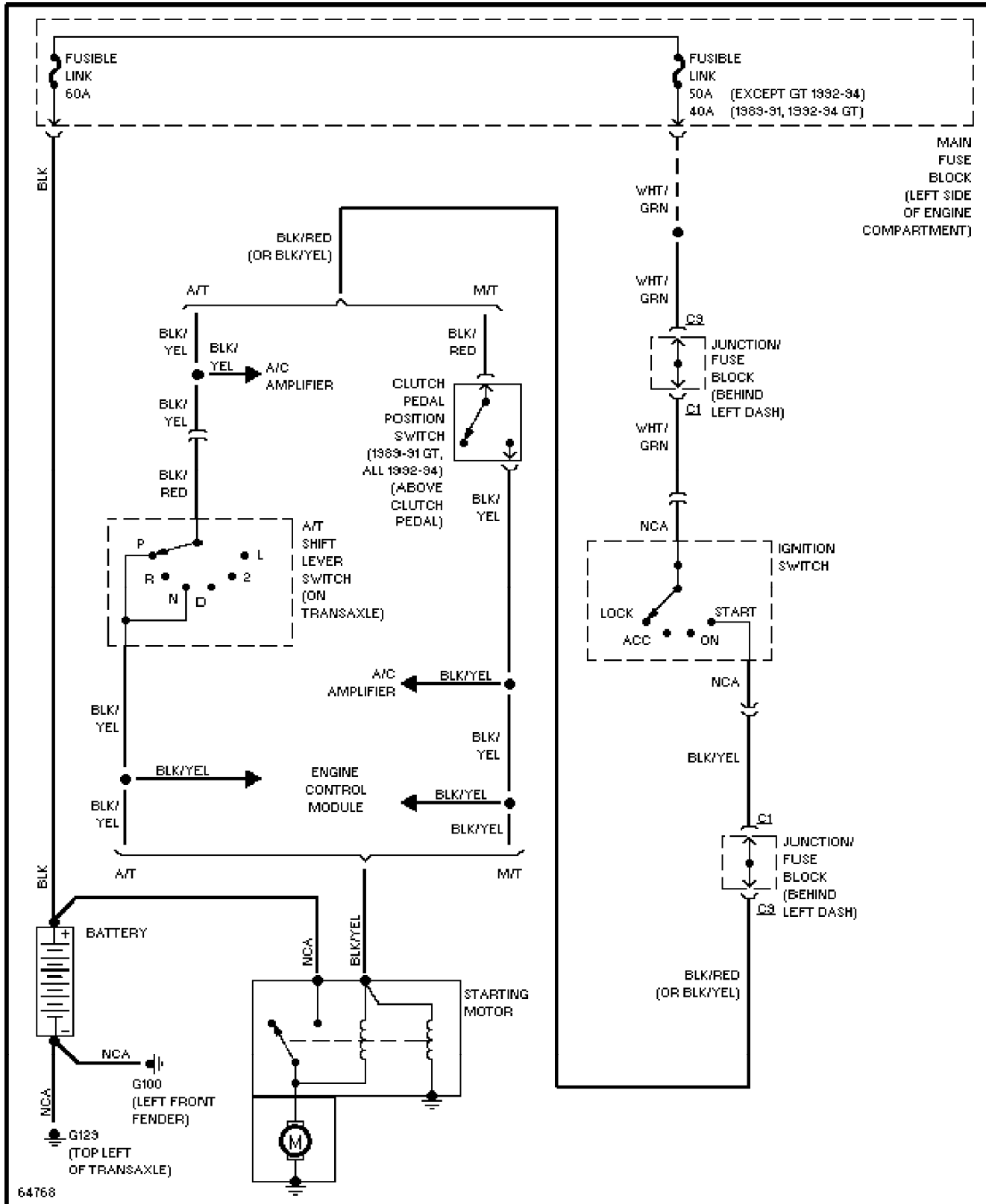
1992 Suzuki Swift



SYSTEM WIRING DIAGRAMS

Starting Circuit (p. 9)

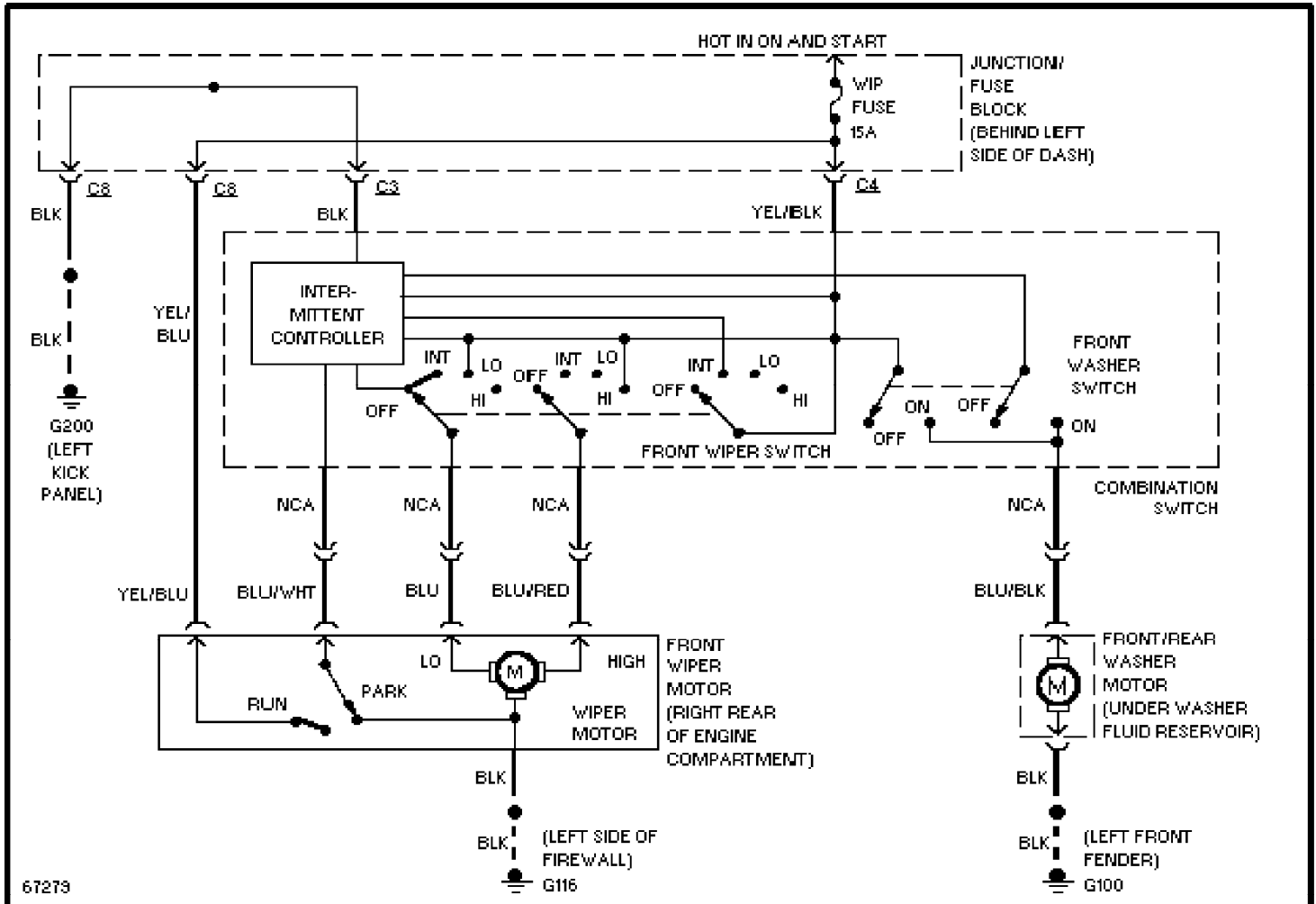
1992 Suzuki Swift



SYSTEM WIRING DIAGRAMS

Front Wiper/Washer Circuit (p. 10)

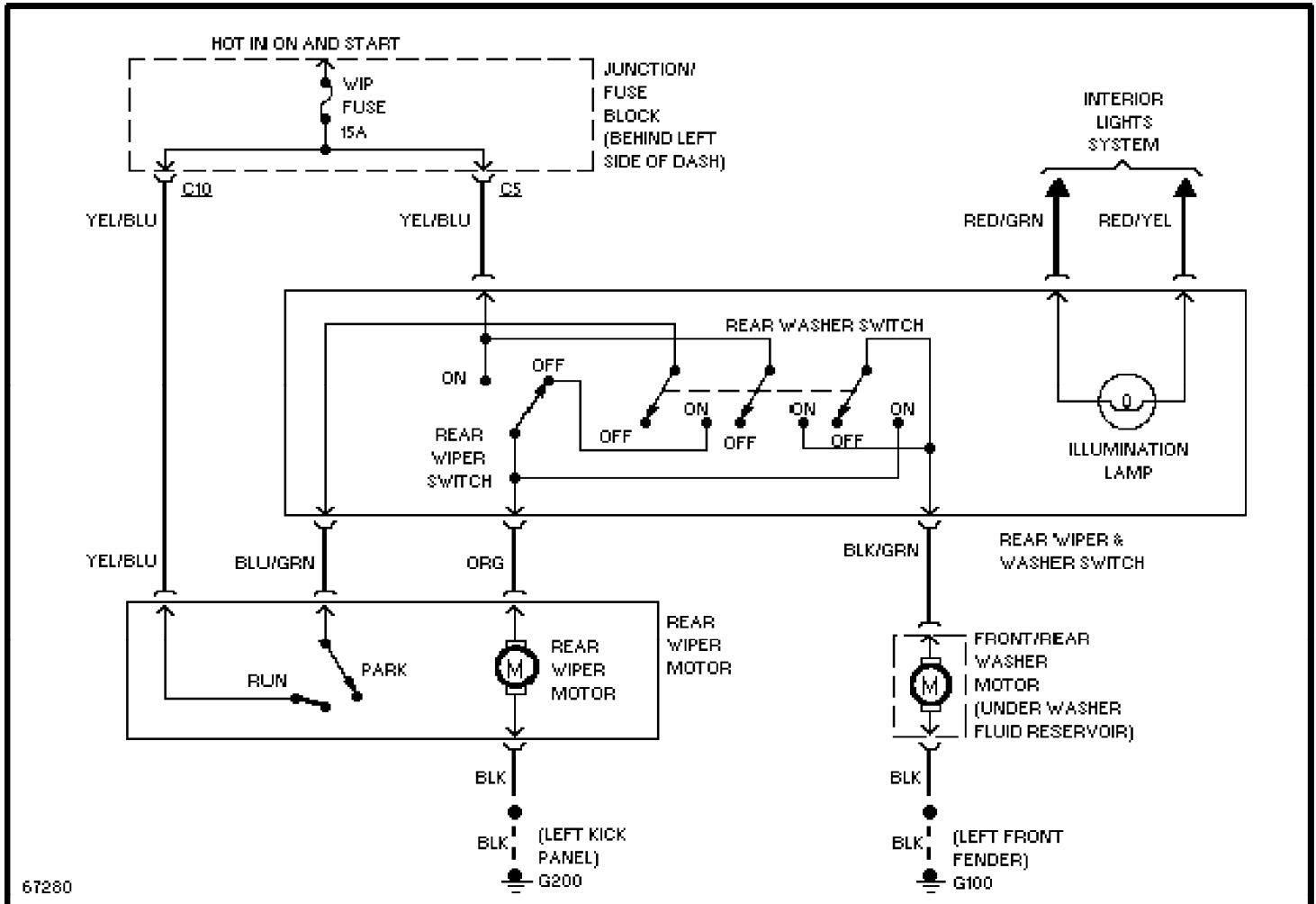
1992 Suzuki Swift



SYSTEM WIRING DIAGRAMS

Rear Wiper/Washer Circuit (p. 11)

1992 Suzuki Swift

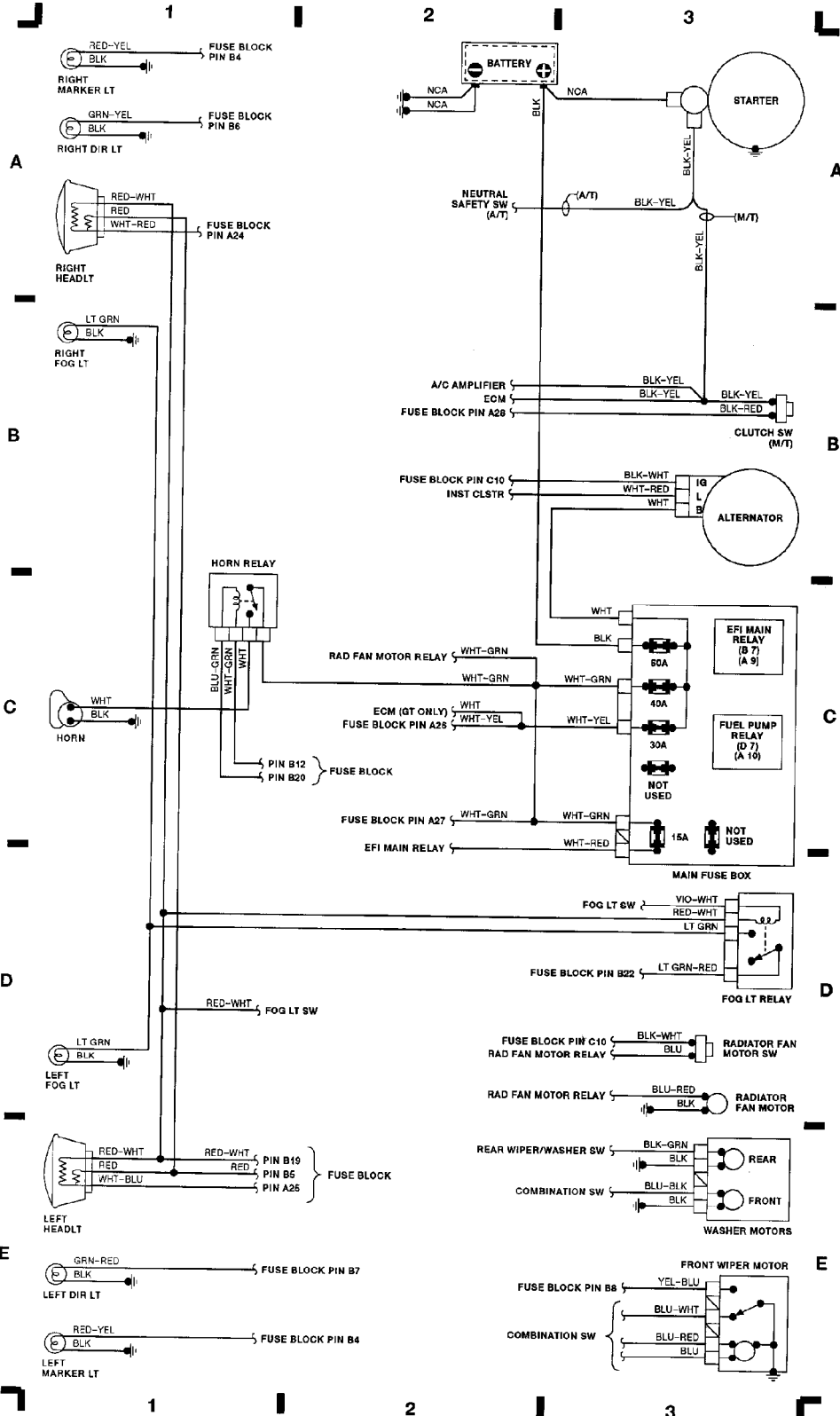


WIRING DIAGRAMS

Fig. 1: Headlights, Battery, Starter, Alternator (Grid 1-3)
1992 Suzuki Swift

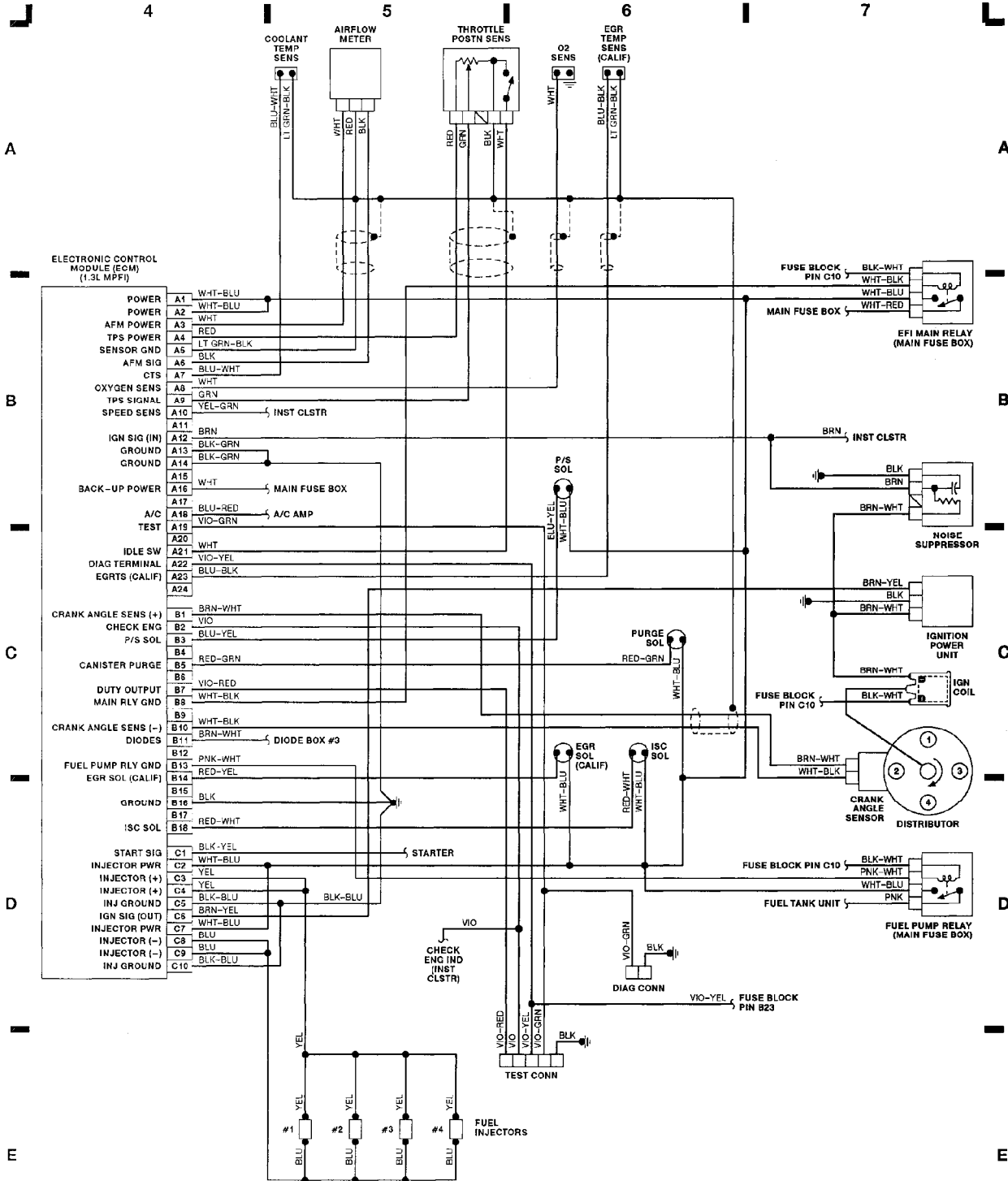
COMPONENT LOCATOR:

A/C AMPLIFIER	C 16
A/C SW	B 17
A/T CONTROL MODULE	A-B 16
A/T SHIFT ILLUM	C 17
A/T SH-IFT LOCK SOL.	B 18
ALTERNATOR	B 3
AUTO SEAT BELT CONTROL MODULE	D-F 26
BACK-UP LT SW (M/T)	A 26
BATTERY	A 2
BLOWER MOTOR	A 19
CLG. LIGHTER	B 3
CLOCK	C 23
CLUTCH SW (M/T)	B 3
COMBINATION SW	D-D 19
DEFOG SW	E 19
D ODE BOX #3	C 24
DISTRIBUTOR (1.3L TBI)	D 11
DOME LT	C 22
EFI MAIN RELAY (1.3L MPFI)	A-8 7
EFI MAIN RELAY (1.3L TBI)	A 9-10
ELECTRONIC CONTROL MODULE (ECM) (1.3L MPFI)	B-D 4
ELECTRONIC CONTROL MODULE (ECM) (1.3L TBI)	D-D 6
FOG LT RELAY	D 3
FOG LT SW	B 24
FRONT WIPER MOTOR	E 3
FUEL PUMP RELAY (1.3L MPFI)	D 7
FUEL PUMP RELAY (1.3L TBI)	E 11
FUEL TANK UNIT	B 23
FUSE BLOCK	A-D 13-15
HEATER BLOWER SW	A 19
HORN RELAY	C 11
IGNITION SW	A 14
ILLUM LTS RHEOSTAT	E 19
INSTRUMENT CLUSTER	A-C 20
MAIN FUSE BOX	C 3
NEUTRAL SAFETY SW (A/T)	A 15
POWER MIRROR CONTROL SW	D 24
RADIATOR FAN MOTOR	D 3
RADIATOR FAN MOTOR RELAY	E 16
RADIATOR FAN MOTOR SW	D 3
REAR WIPER MOTOR	A 25
REAR WIPER/WASHER SW	A 24
STARTER	A 3
STOP LT SW	C 27
*TRUNK LT	B 24
WARNING BUZZER	B 23
WASHER MOTORS	E 3



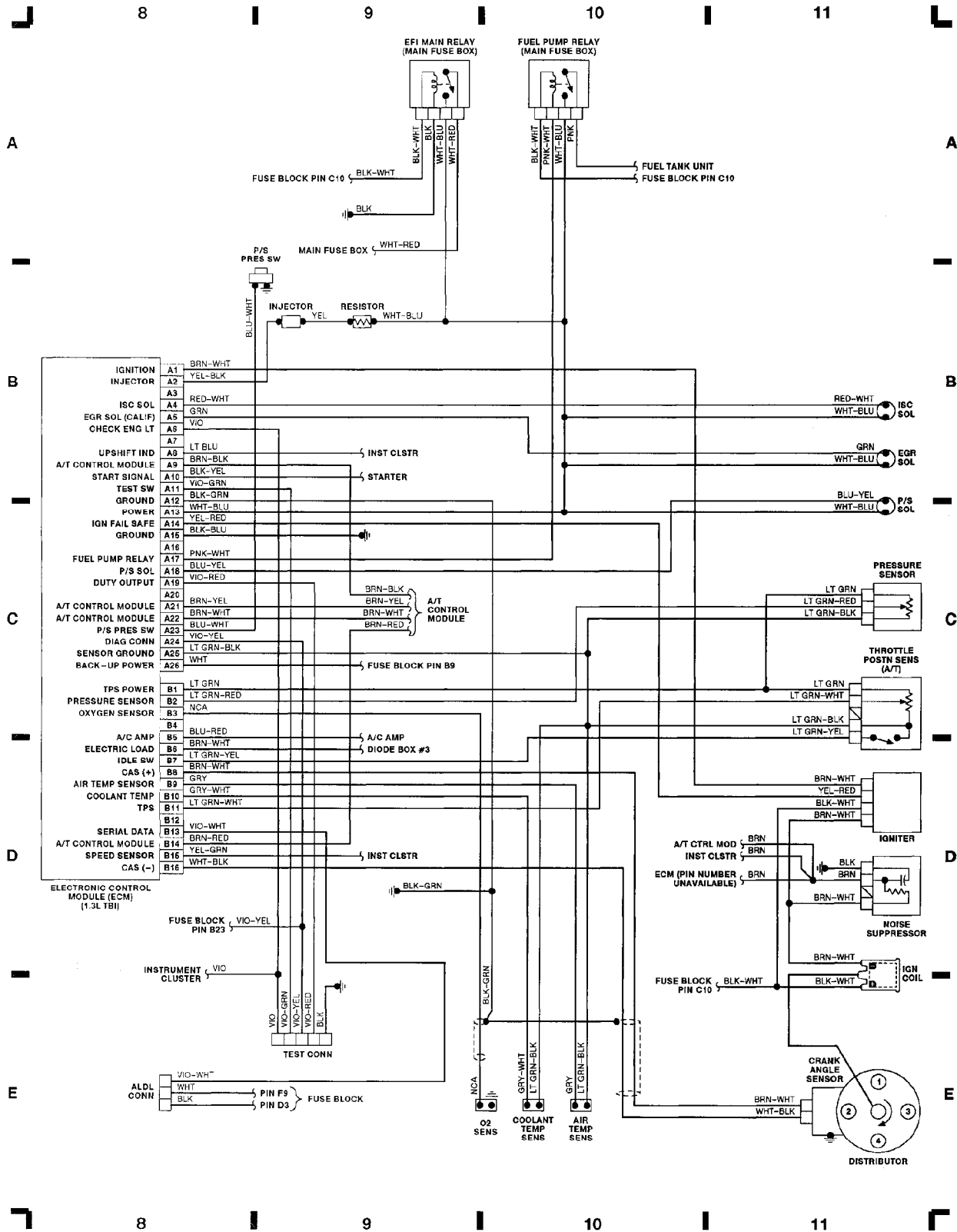
WIRING DIAGRAMS

Fig. 2: ECM (1.3L), Fuel Pump Distributor, Fuel Inj (Grid 4-7) (p. 2)
1992 Suzuki Swift

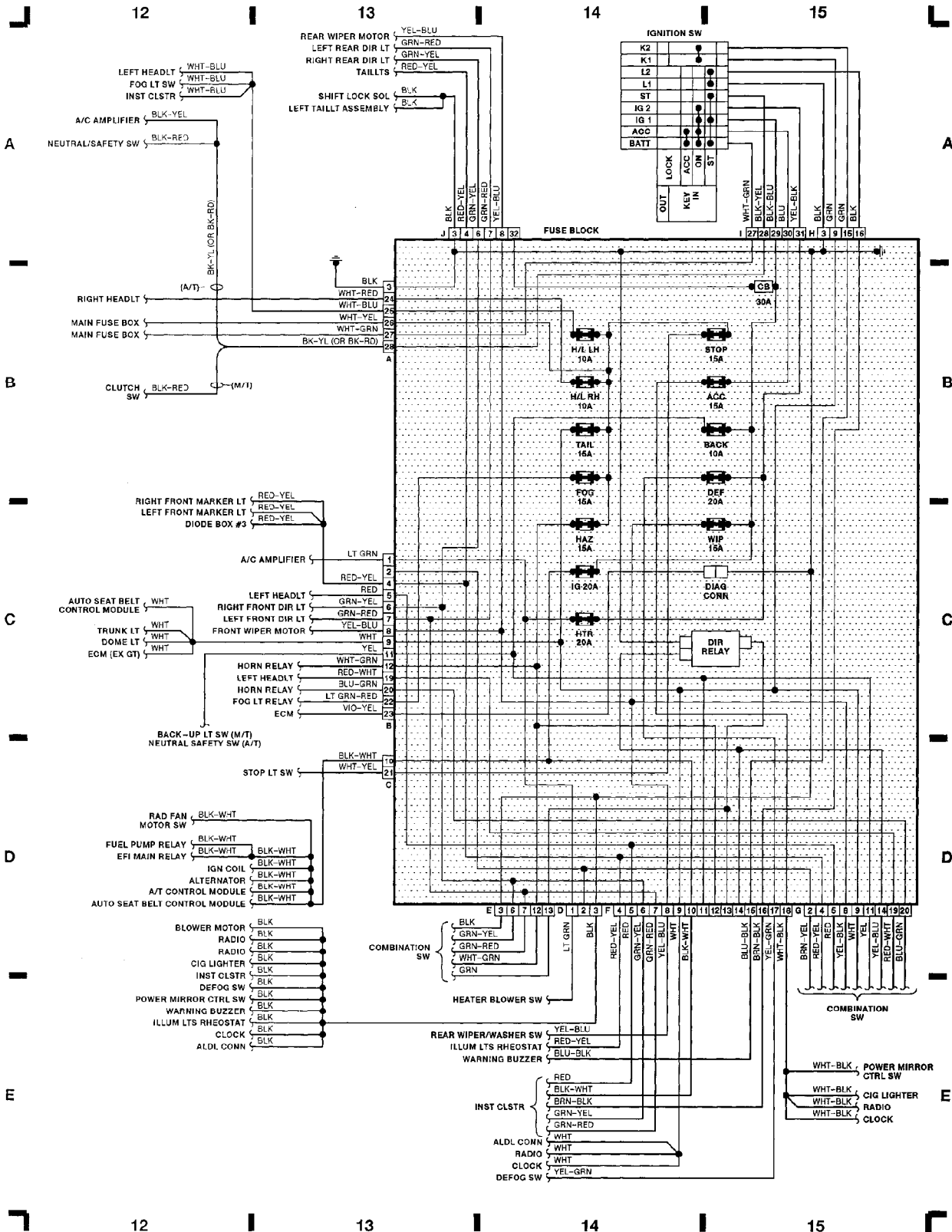


WIRING DIAGRAMS

Fig. 3: ECM (1.3L), Engine Sensors, Fuel Pump Relay (Grid 8-11) (p. 3)
1992 Suzuki Swift

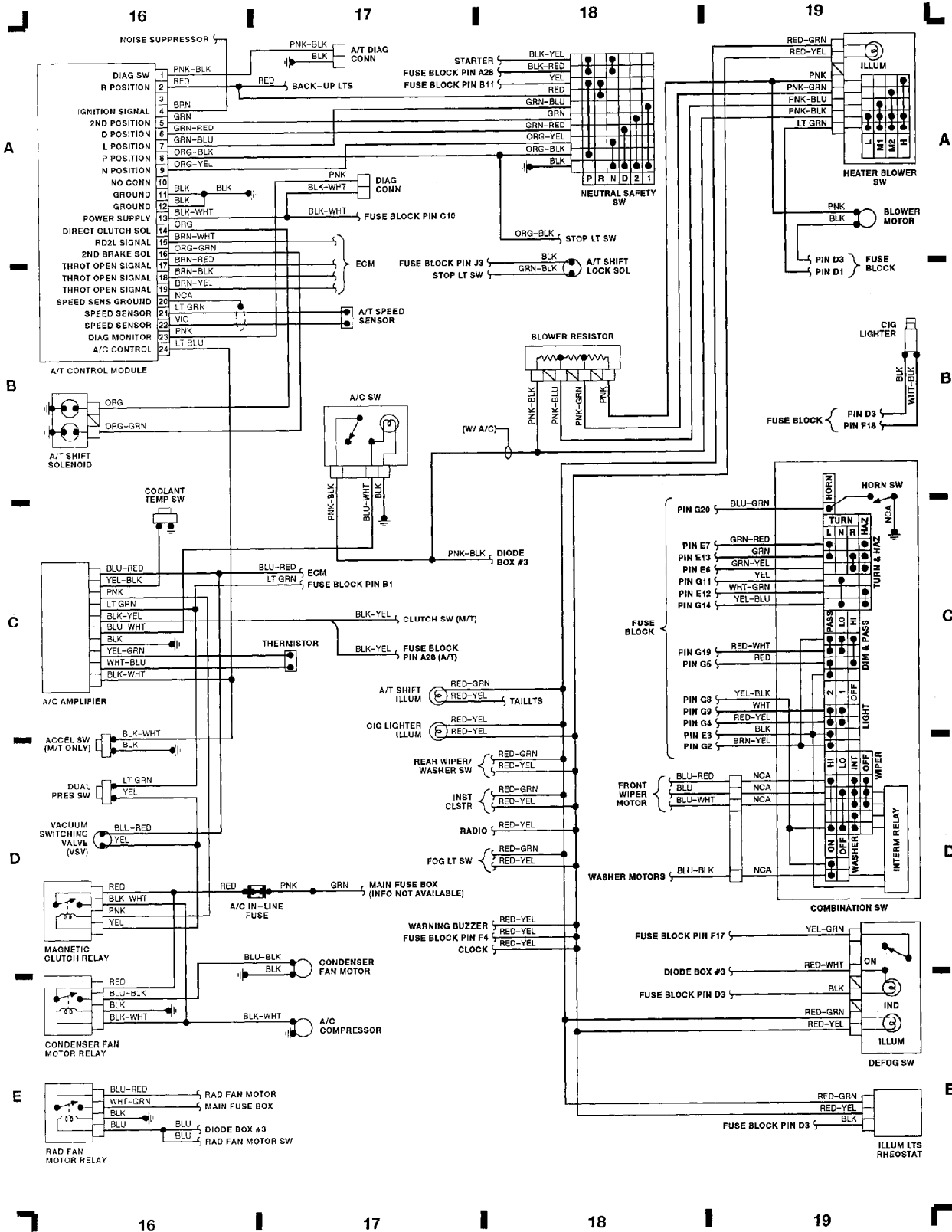


WIRING DIAGRAMS
Fig. 4: Fuse Block, Ignition Sw (Grid 12-15) (p. 4)
 1992 Suzuki Swift



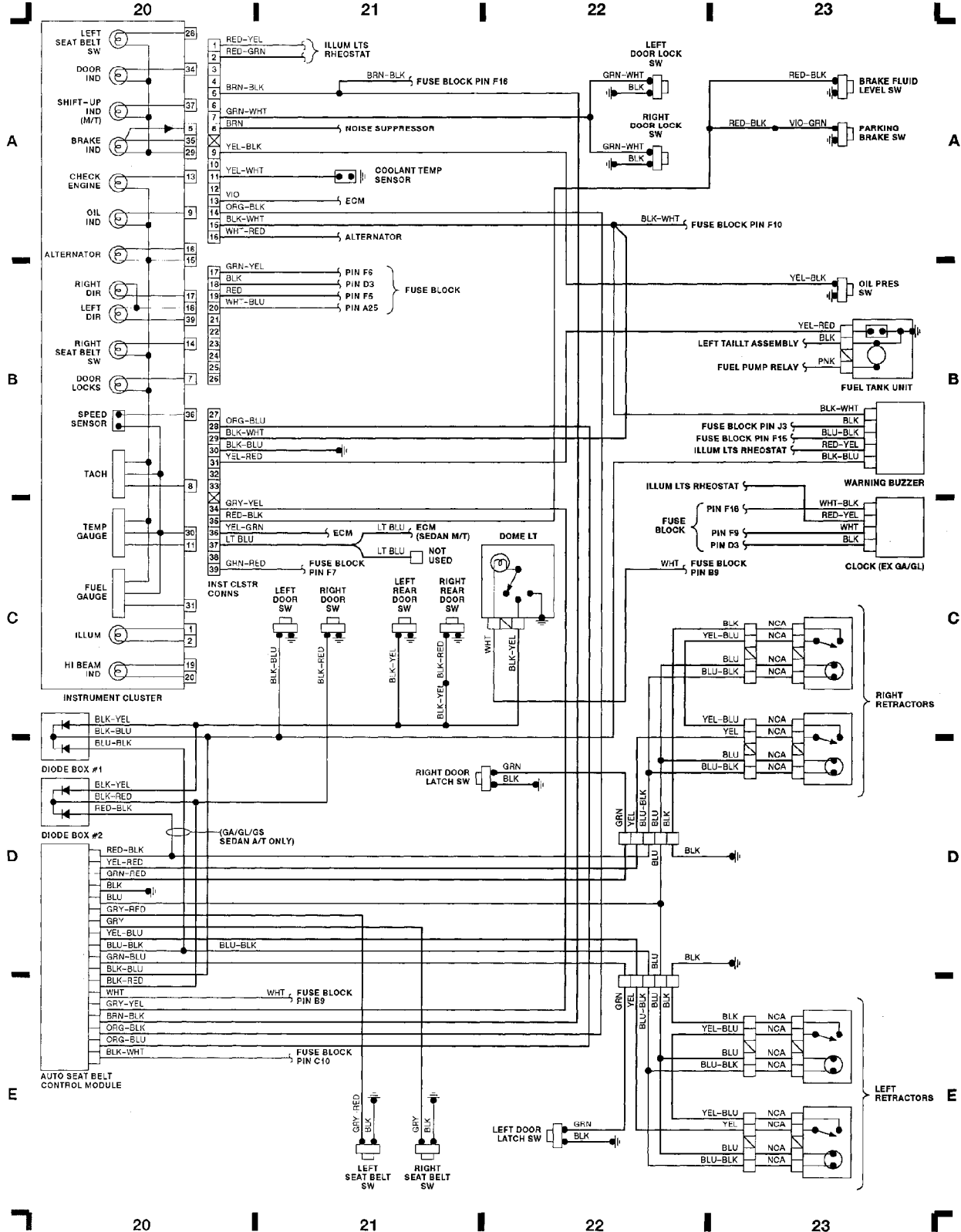
WIRING DIAGRAMS

Fig. 5: AT Ctrl Mod, A/C Amp, Combo Sw, Heater/Blower (Grid 16-19) (p. 5)
1992 Suzuki Swift



WIRING DIAGRAMS

Fig. 6: Instrument Clstr, Seat Belt Ctrl Mod, Clock (Grid 20-23) (p. 6)
1992 Suzuki Swift



WIRING DIAGRAMS

Fig. 7: Taillights, Pwr Mirrors, Rear Wipers (Grid 24-27) (p. 7)
1992 Suzuki Swift

