

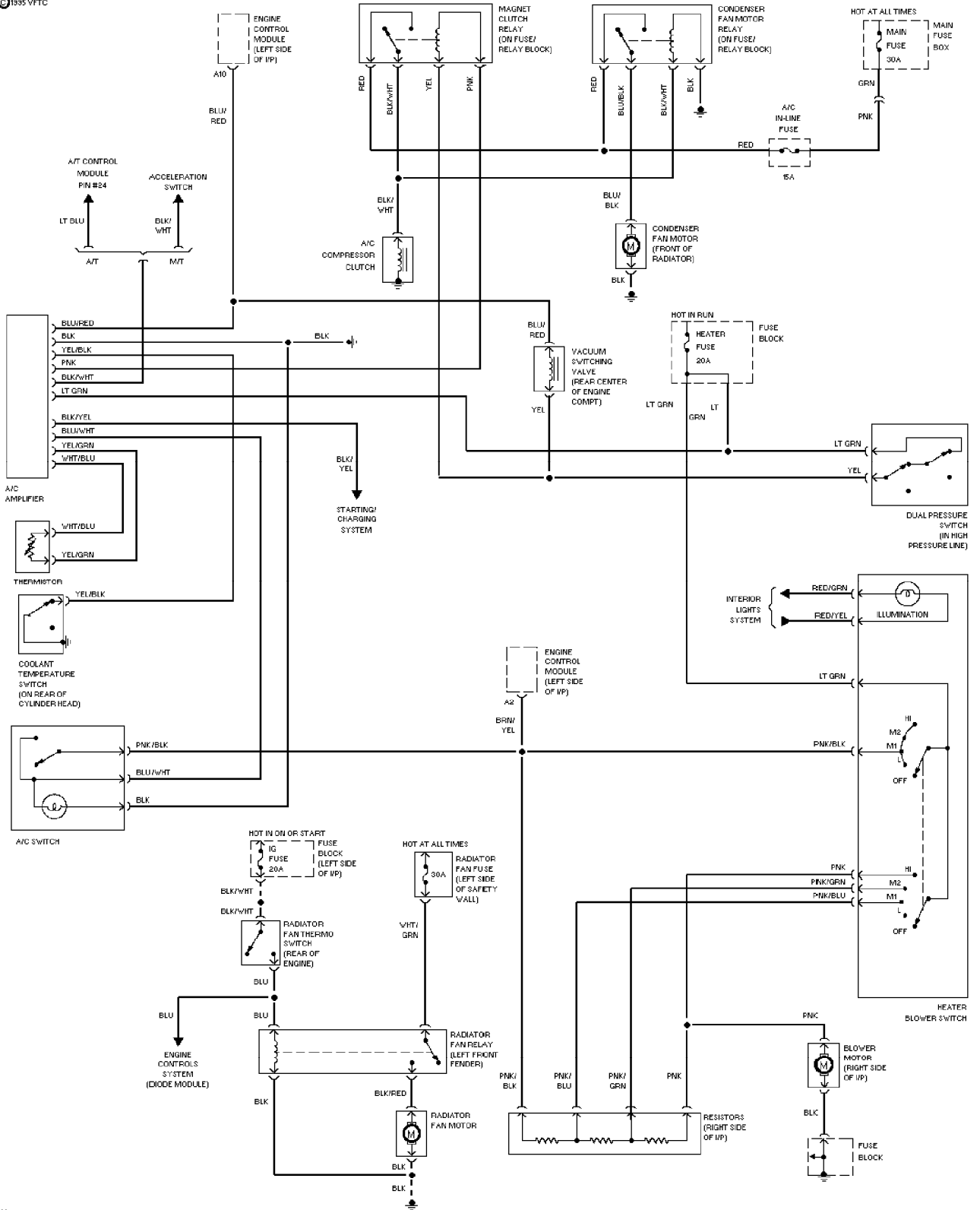
SYSTEM WIRING DIAGRAMS

A/C Circuit

1991 Suzuki Swift

CDR@WP.PL

© 1995 VFTC

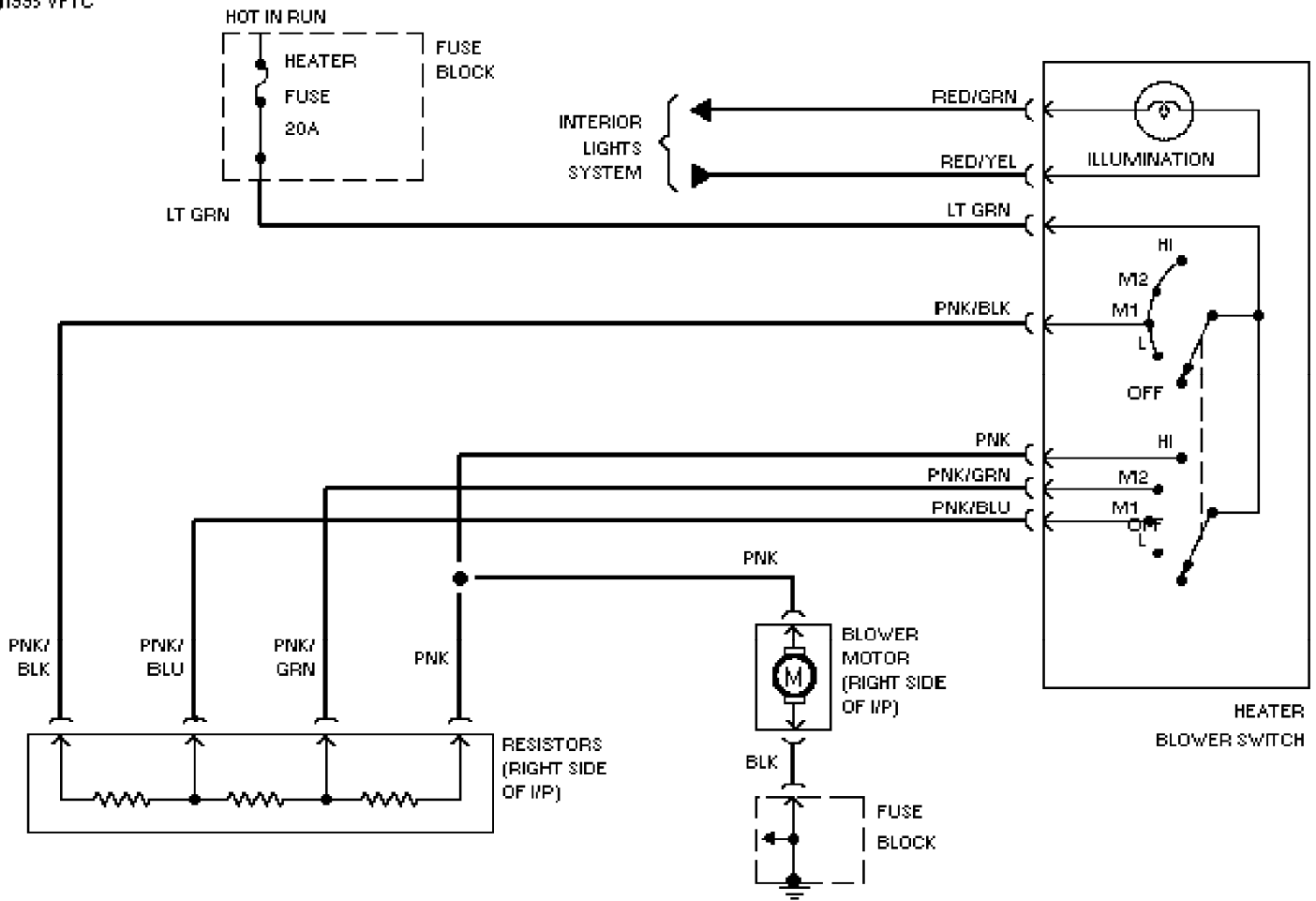


SYSTEM WIRING DIAGRAMS

Heater Circuit (p. 2)

1991 Suzuki Swift

© 1995 YFTC

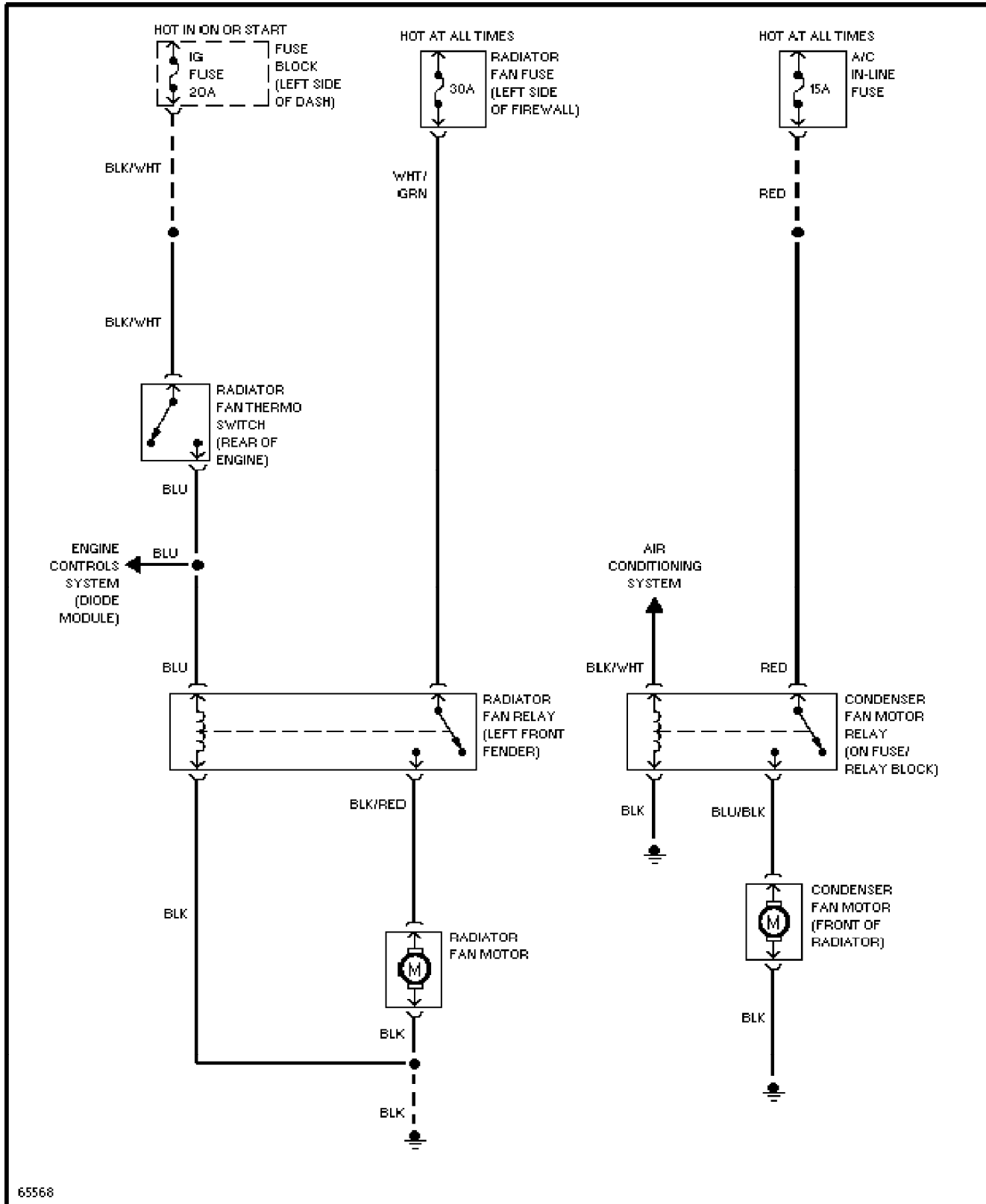


66083

SYSTEM WIRING DIAGRAMS

Cooling Fan Circuit (p. 3)

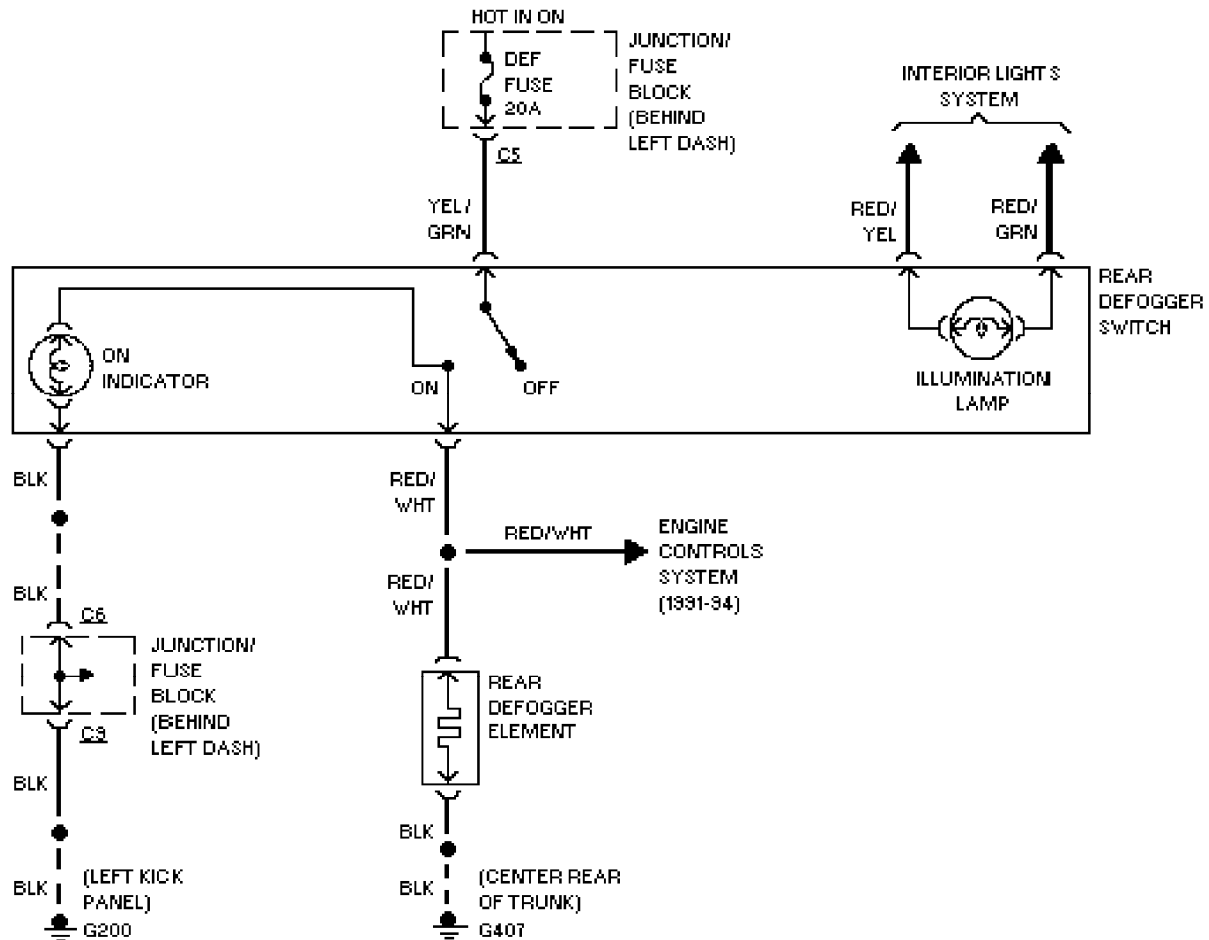
1991 Suzuki Swift



SYSTEM WIRING DIAGRAMS

Defogger Circuit (p. 4)

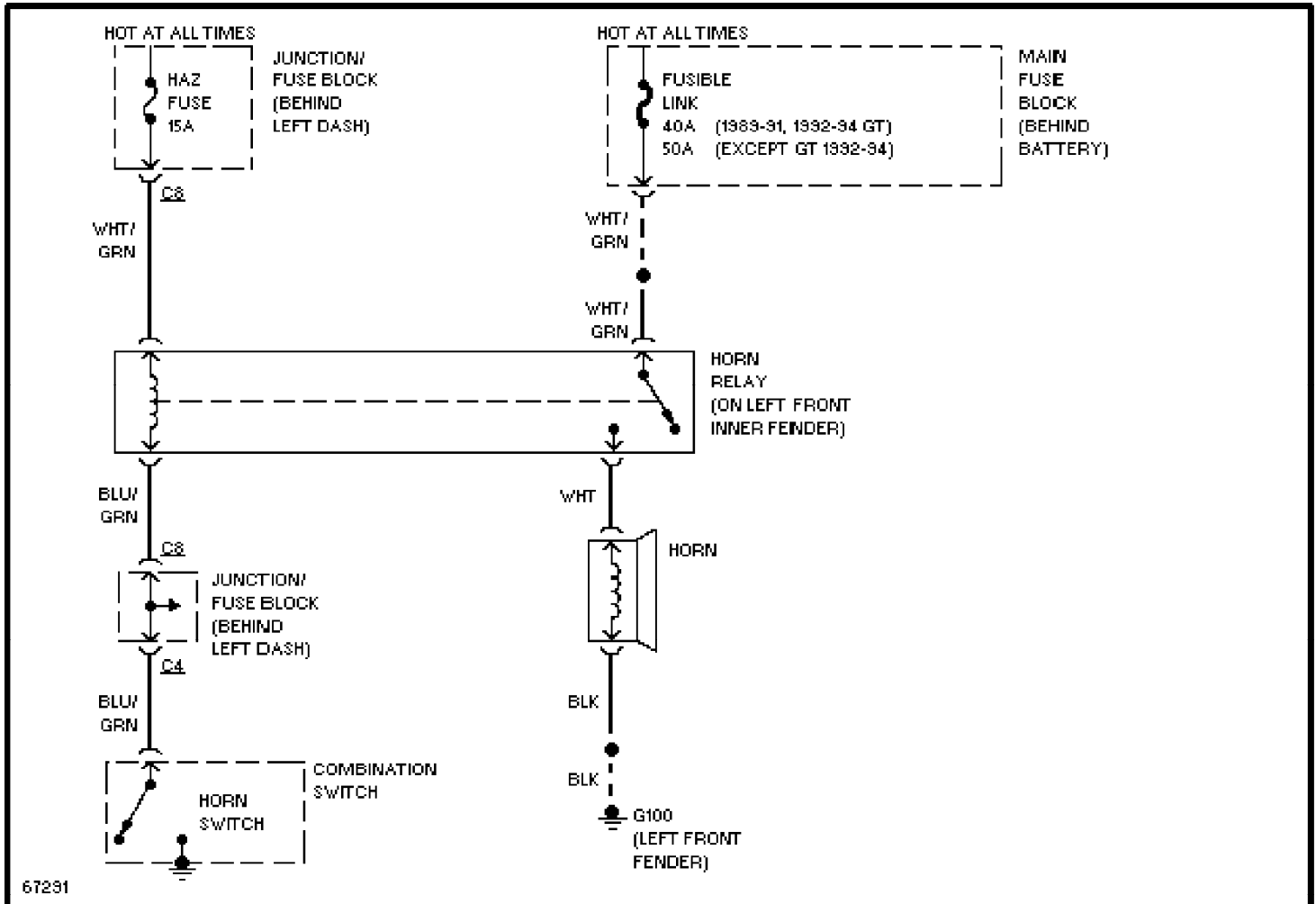
1991 Suzuki Swift



SYSTEM WIRING DIAGRAMS

Horn Circuit (p. 5)

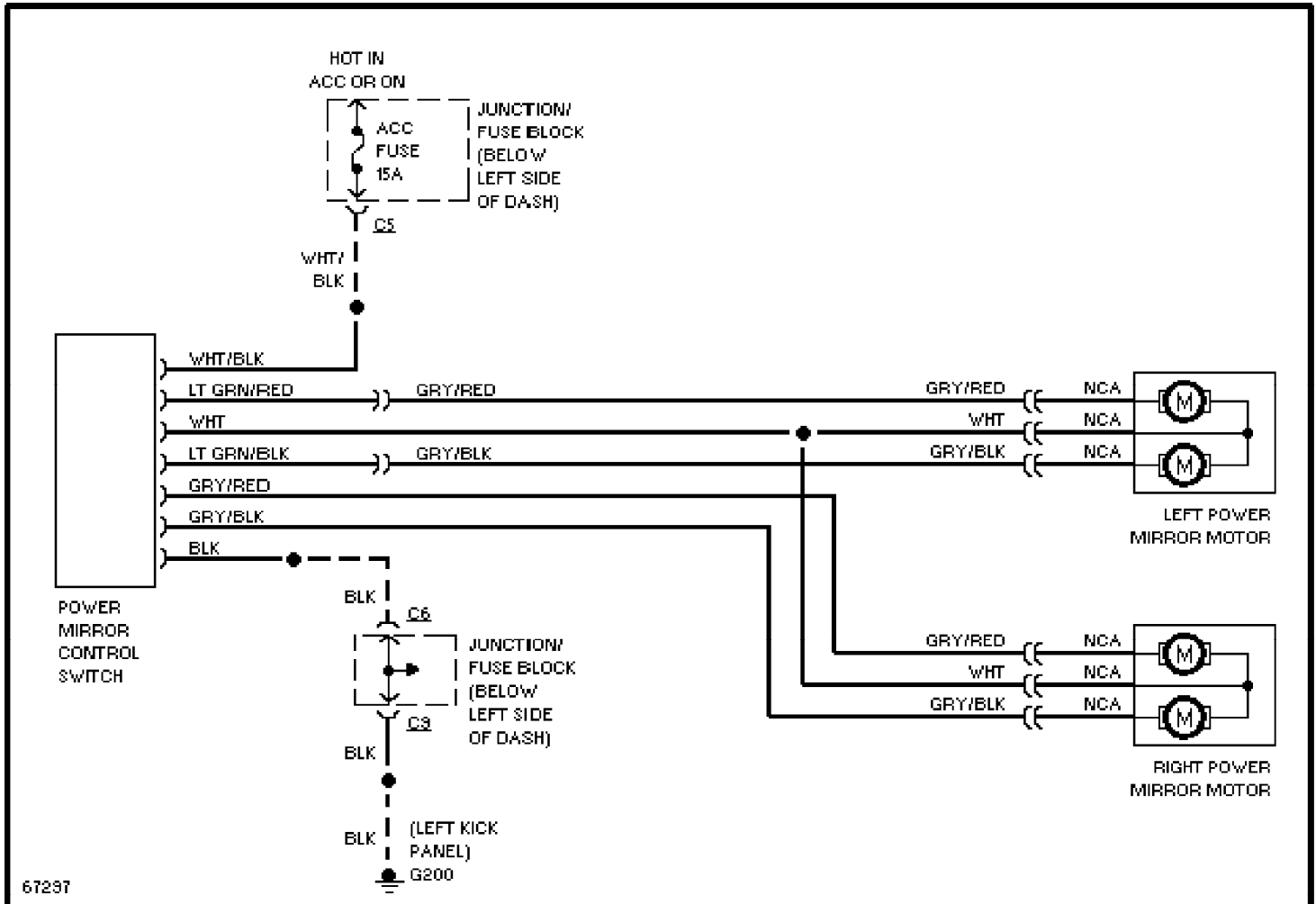
1991 Suzuki Swift



SYSTEM WIRING DIAGRAMS

Power Mirror Circuit (p. 6)

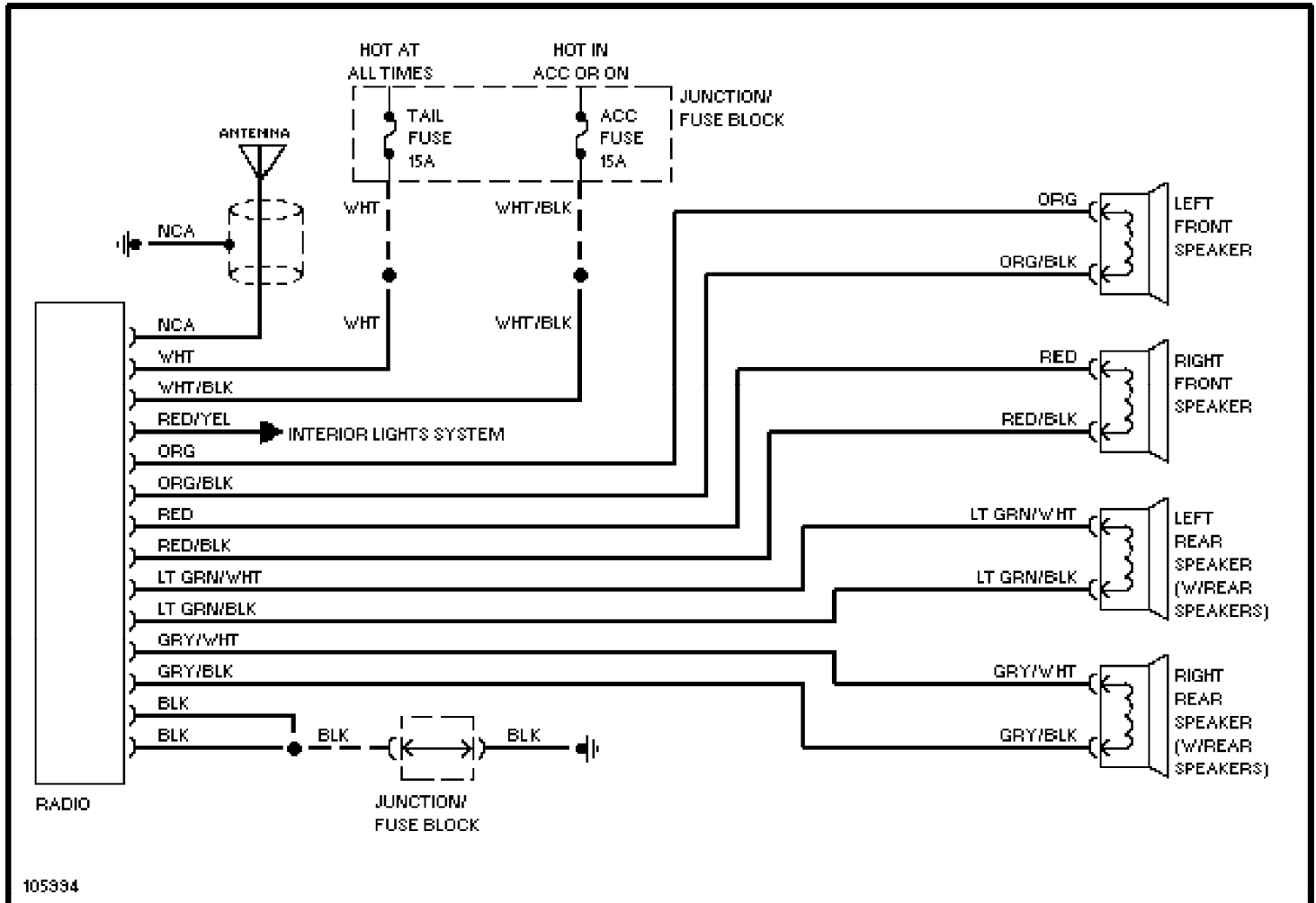
1991 Suzuki Swift



SYSTEM WIRING DIAGRAMS

Radio Circuits (p. 7)

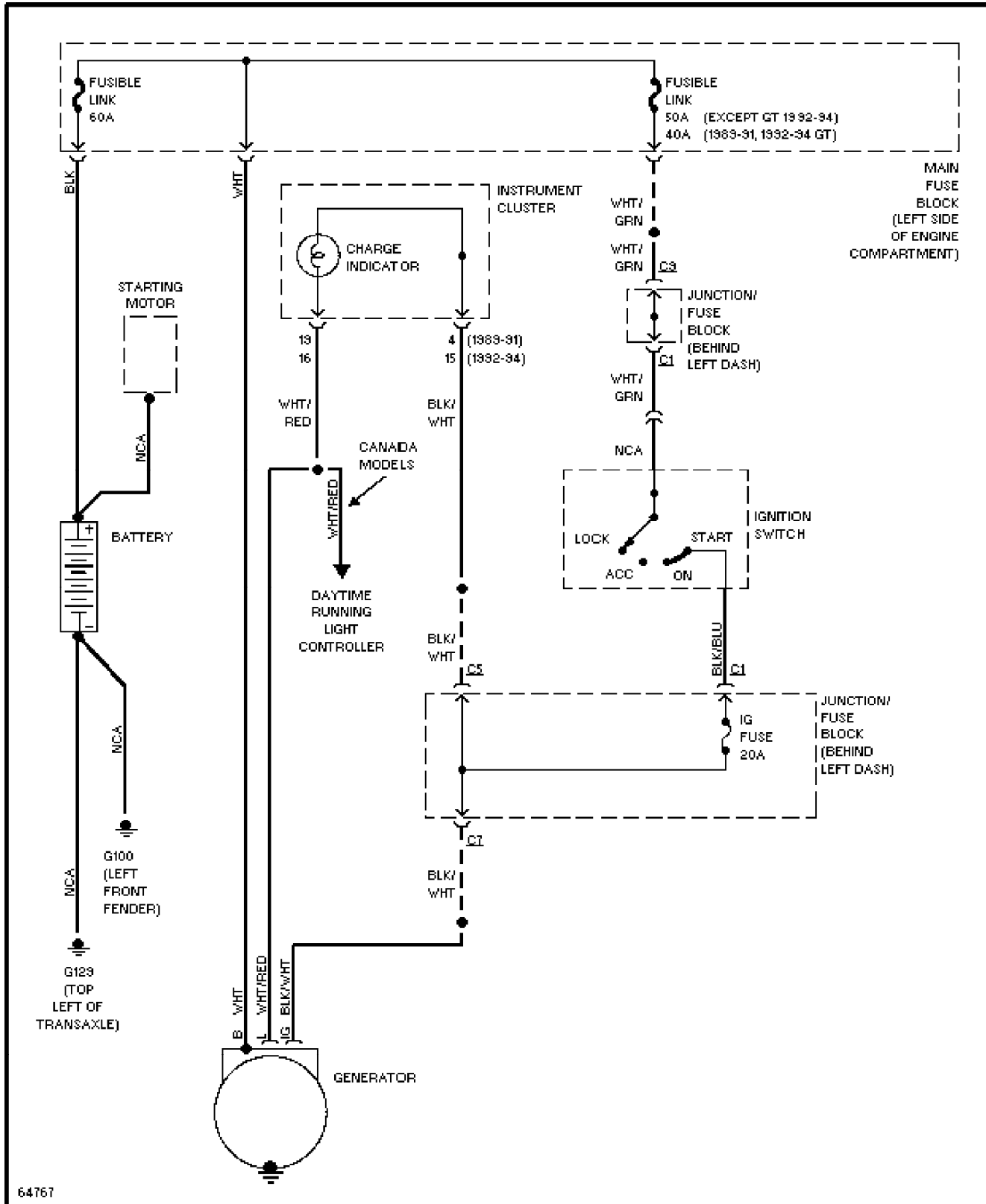
1991 Suzuki Swift



SYSTEM WIRING DIAGRAMS

Charging Circuit (p. 8)

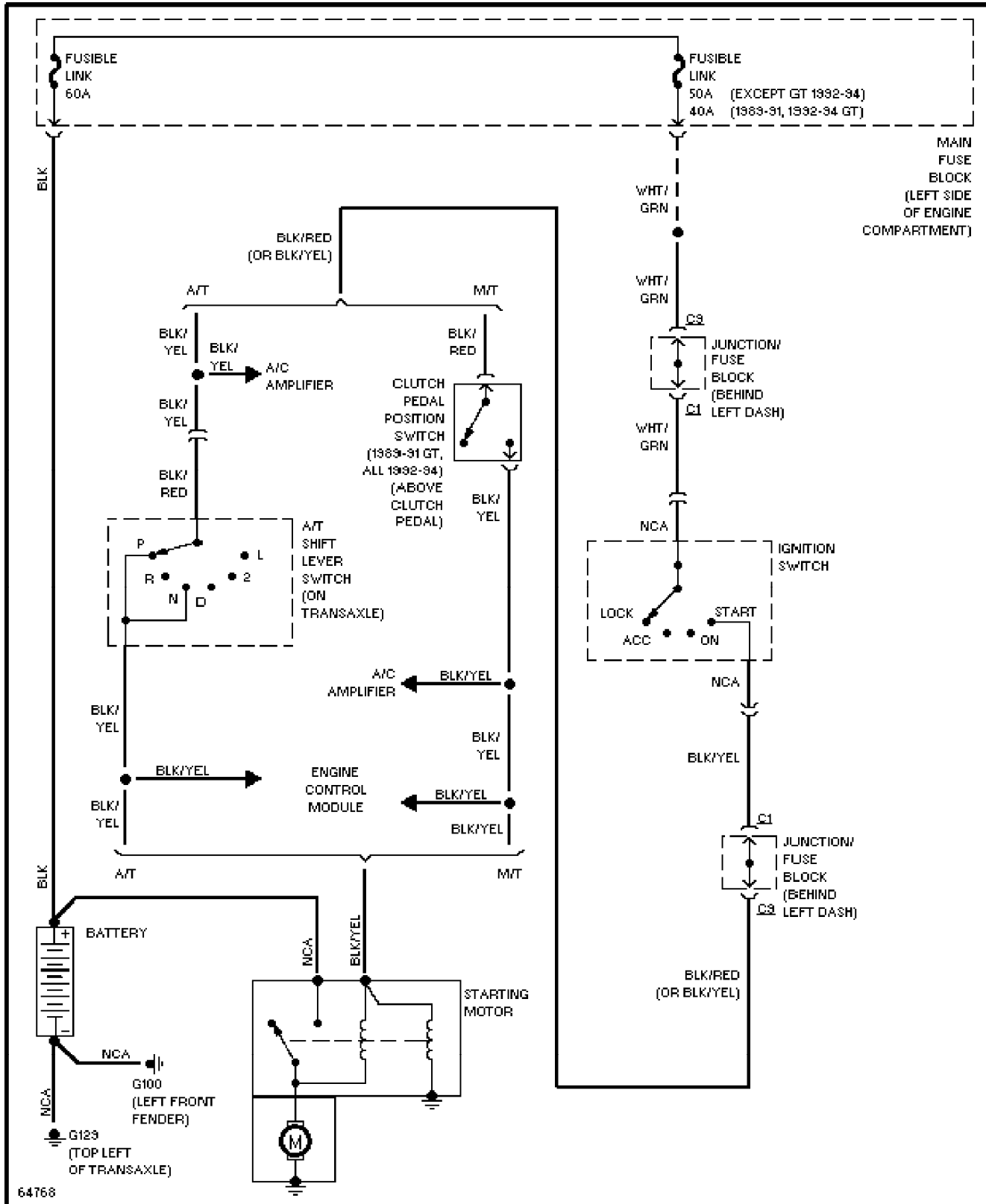
1991 Suzuki Swift



SYSTEM WIRING DIAGRAMS

Starting Circuit (p. 9)

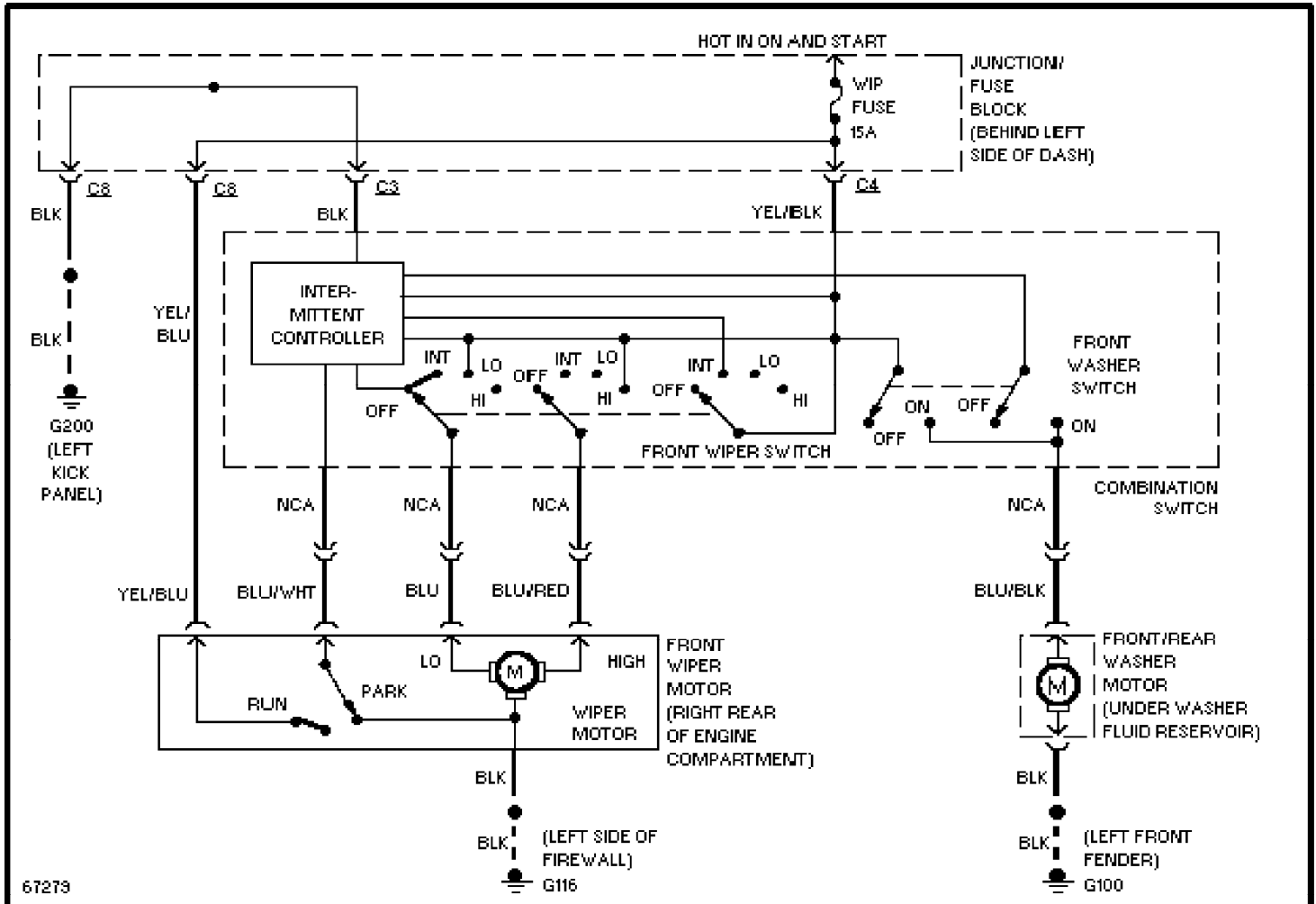
1991 Suzuki Swift



SYSTEM WIRING DIAGRAMS

Front Wiper/Washer Circuit (p. 10)

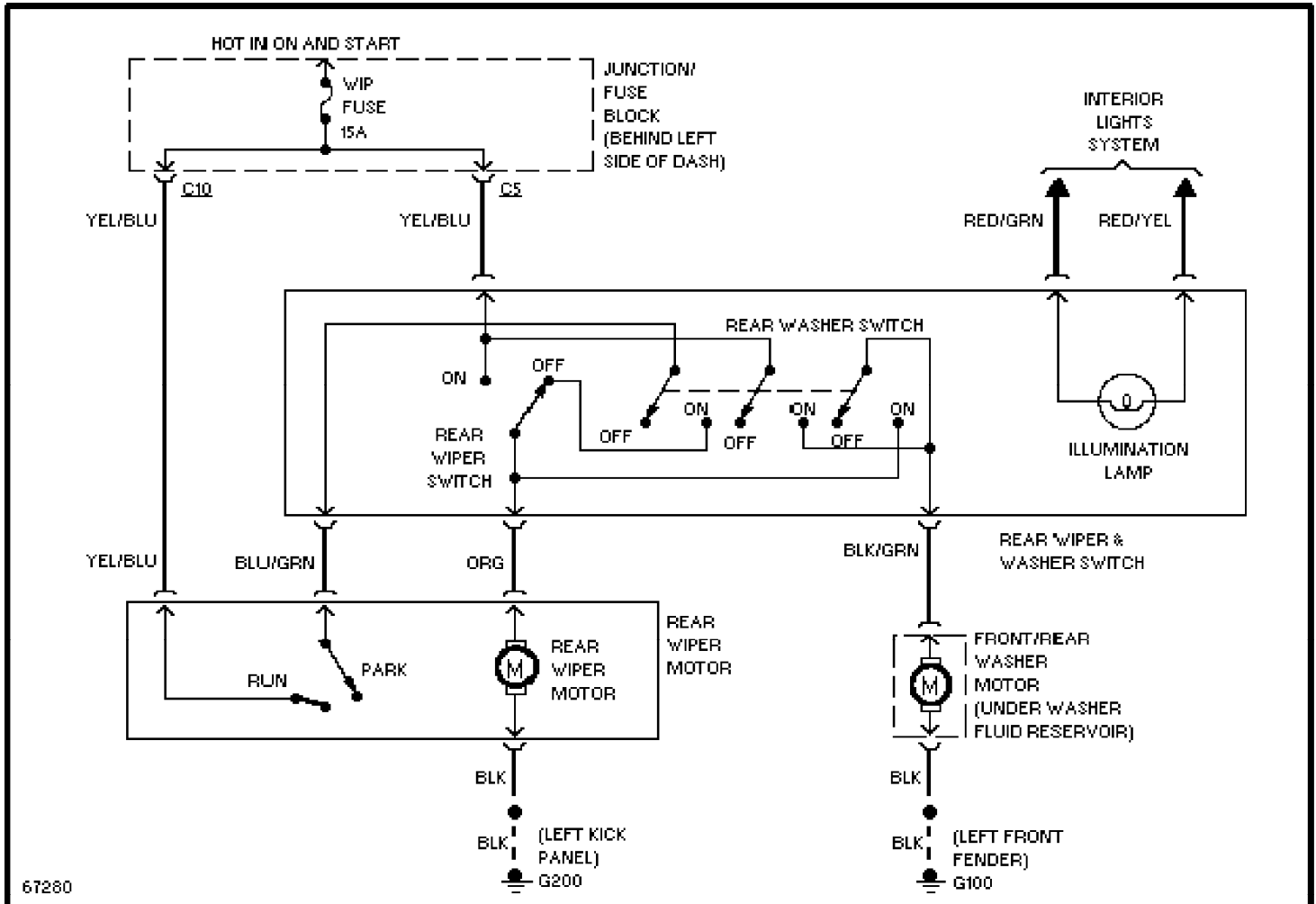
1991 Suzuki Swift



SYSTEM WIRING DIAGRAMS

Rear Wiper/Washer Circuit (p. 11)

1991 Suzuki Swift

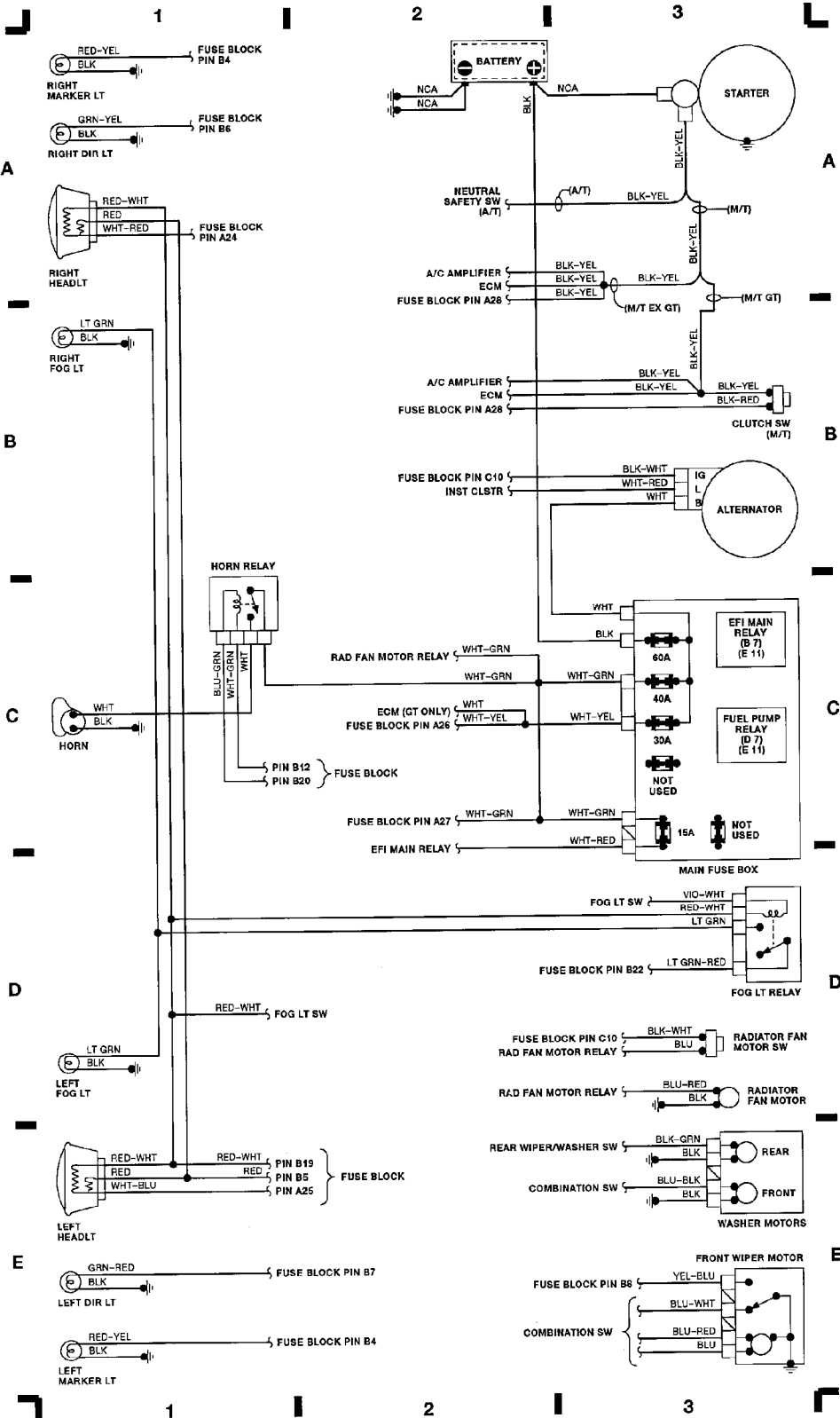


WIRING DIAGRAMS

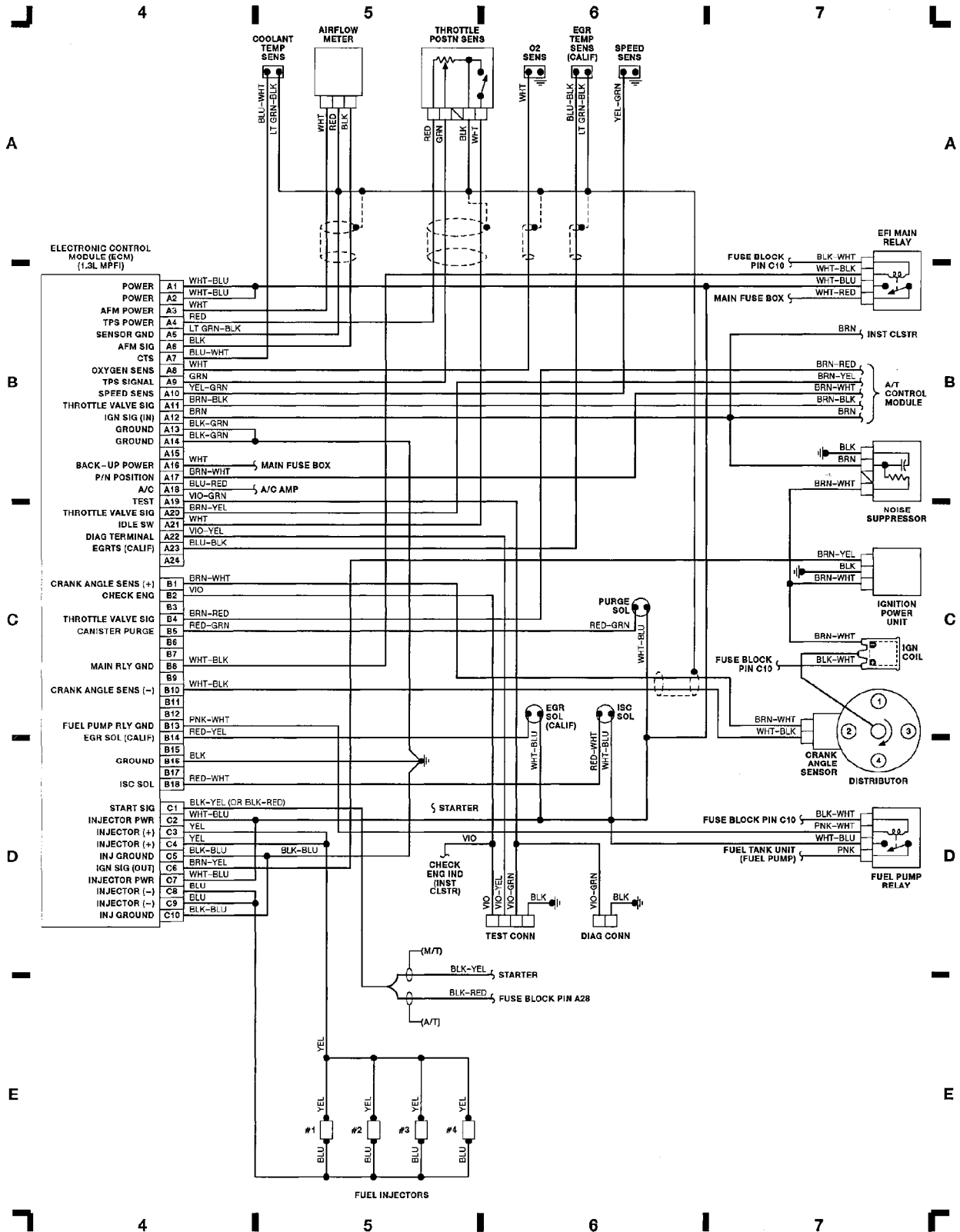
Fig. 1: Engine Compartment & Headlights (Grid 1-3)
1991 Suzuki Swift

COMPONENT LOCATOR:

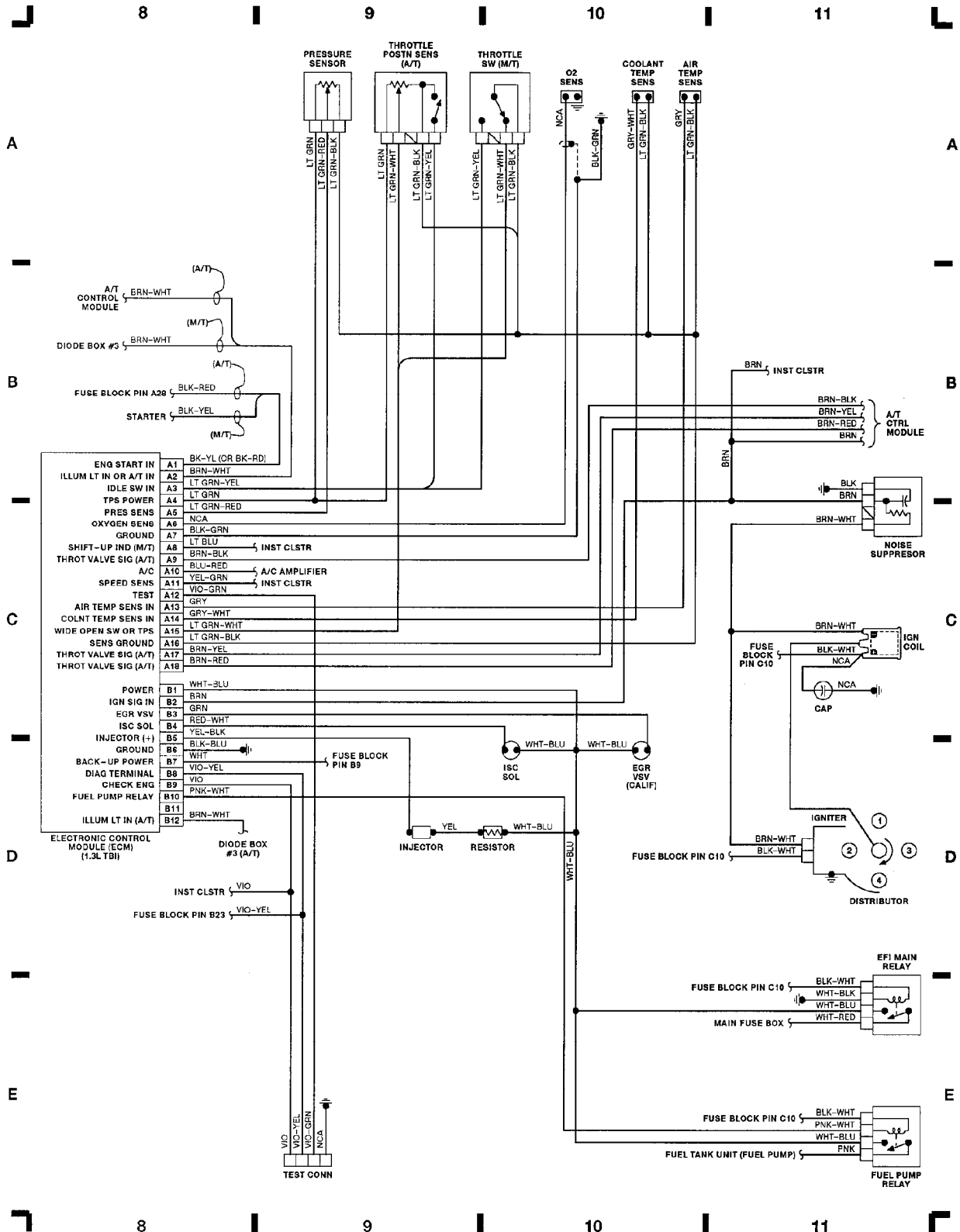
A/C AMPLIFIER	C 16
A/C SW	B 17
A/T CONTROL MODULE	A-B 16
A/T SHIFT ILLUM	C 17
A/T SHIFT LOCK SOL	B 18
ALTERNATOR	B 3
AUTO SEAT BELT CONTROL MODULE	E 20
BACK-UP LT SW (M/T)	A 26
BATTERY	A 2
BLOWER MOTOR	A 19
CIG LIGHTER	B 19
CLOCK	C 23
CLUTCH SW (M/T)	B 3
COMBINATION SW	B-D 19
DEFOG SW	E 19
DIODE BOX #3	C 24
DISTRIBUTOR (1.3L TBI)	D 11
EFI MAIN RELAY (1.3L MPFI)	B 7
EFI MAIN RELAY (1.3L TBI)	E 11
ELECTRONIC CONTROL MODULE (ECM) (1.3L MPFI)	B-D 4
ELECTRONIC CONTROL MODULE (ECM) (1.3L TBI)	B-D 8
FOG LT RELAY	D 3
FOG LT SW	B 24
FRONT WIPER MOTOR	E 3
FUEL PUMP RELAY (1.3L MPFI)	D 7
FUEL PUMP RELAY (1.3L TBI)	E 11
FUEL TANK UNIT	B 23
FUSE BLOCK	A-D 13-15
HEATER BLOWER SW	A 19
HORN RELAY	C 1
IGNITION COIL (1.3L MPFI)	C 7
IGNITION COIL (1.3L TBI)	C 11
ILLUM LTS RHOSTAT	E 19
INSTRUMENT CLUSTER	A C 20
MAIN FUSE BOX	C 3
NEUTRAL SAFETY SW (A/T)	A 18
POWER MIRROR CONTROL SW	D 24
RAD FAN MOTOR RELAY	E 15
RADIATOR FAN MOTOR	D 2
RADIATOR FAN MOTOR SW	D 3
REAR WIPER MOTOR	A 25
REAR WIPER/WASHER SW	A 24
STARTER	A 3
STOP LT SW	C 27
TRUNK LT	B 24
WARNING BUZZER	B 23
WASHER MOTORS	E 3



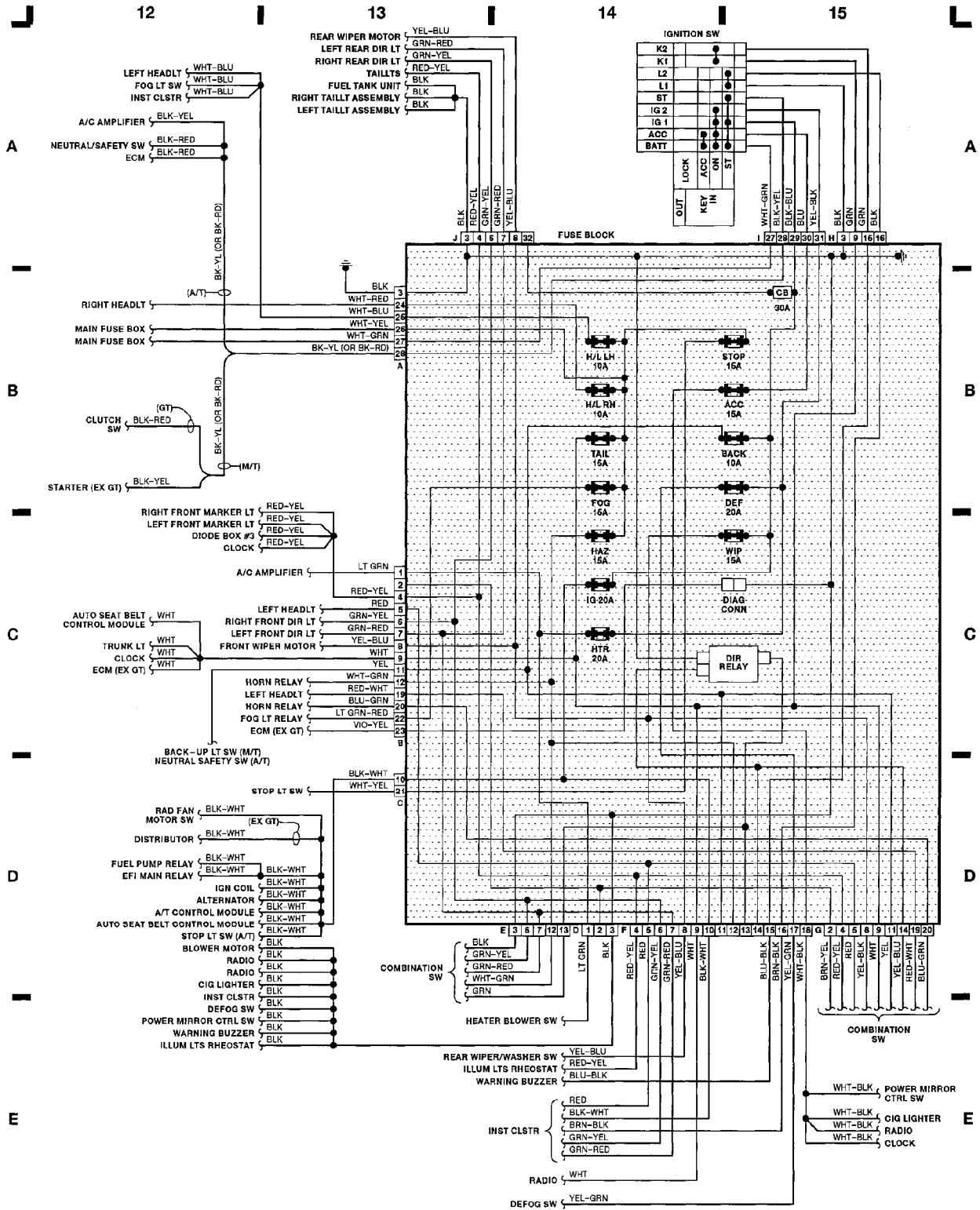
WIRING DIAGRAMS
Fig. 2: Computer Engine Control (MPFI) (Grid 4-7) (p. 2)
 1991 Suzuki Swift



WIRING DIAGRAMS
Fig. 3: Computer Engine Control (TBI) (Grid 8-11) (p. 3)
 1991 Suzuki Swift

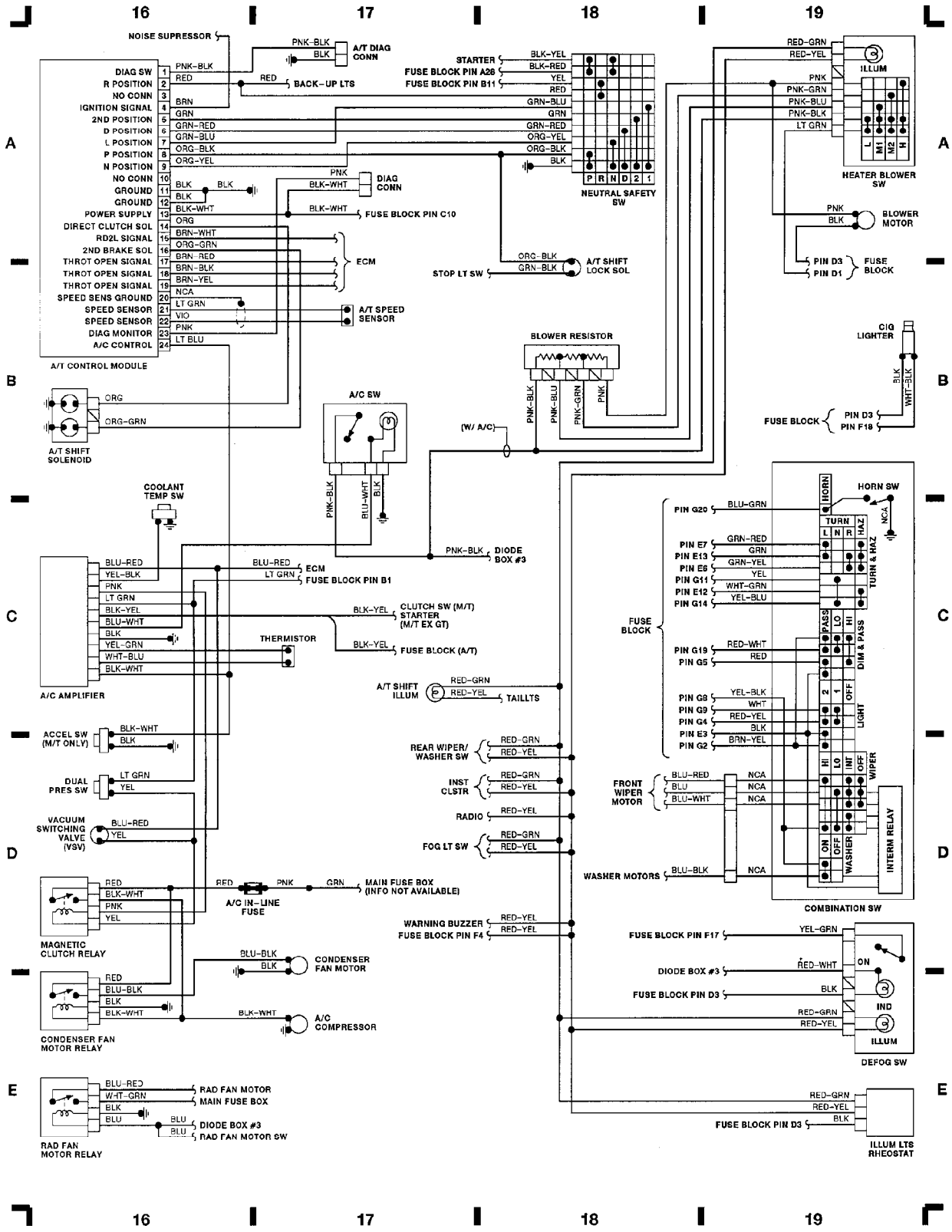


WIRING DIAGRAMS
Fig. 4: Fuse Block (Grid 12-15) (p. 4)
 1991 Suzuki Swift



WIRING DIAGRAMS

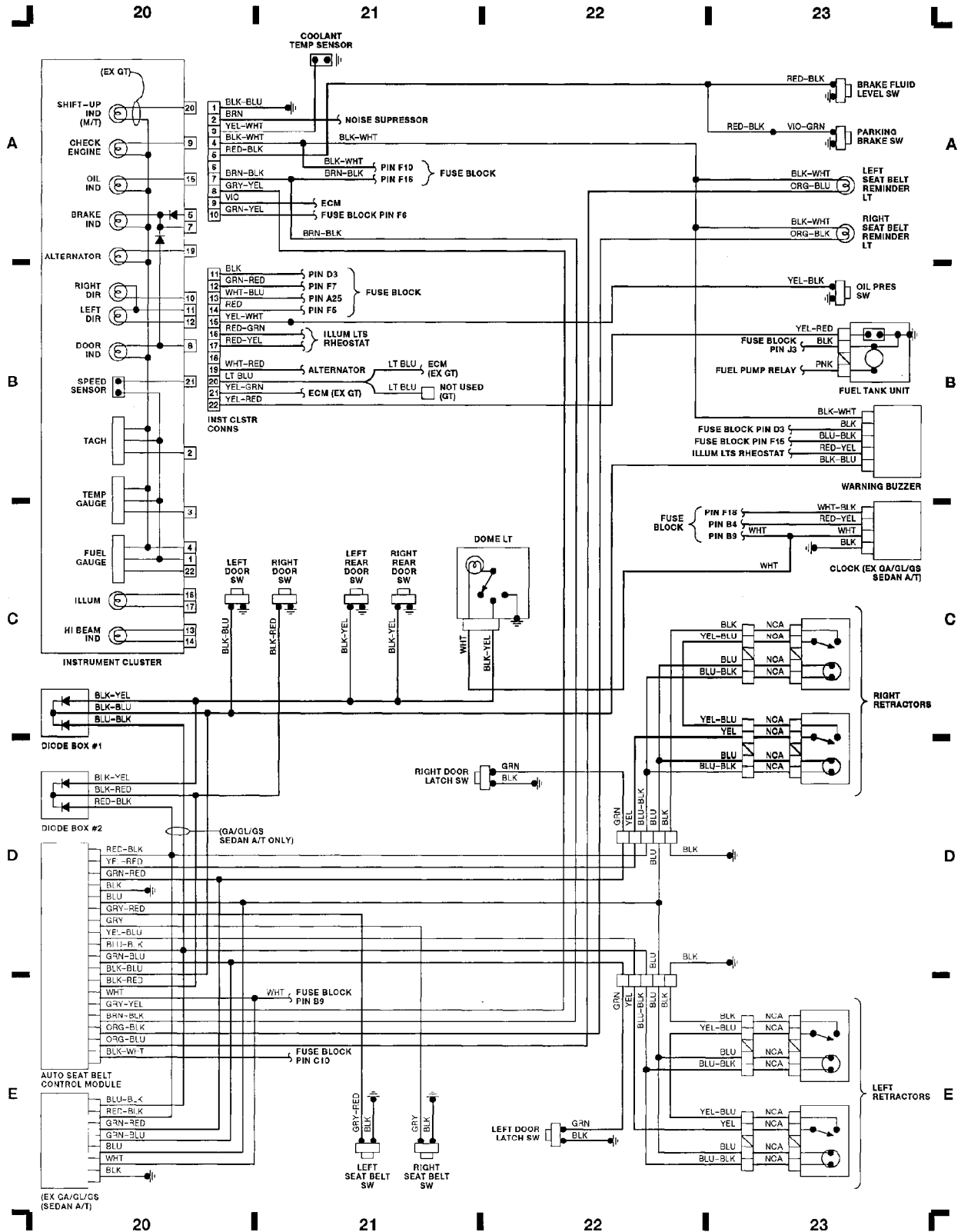
Fig. 5: A/C & Heater, Comb Switch, A/T Ctrl Mod (Grid 16-19) (p. 5)
1991 Suzuki Swift



WIRING DIAGRAMS

Fig. 6: Inst Cluster, Auto Seat, L & R Retractors (Grid 20-23) (p. 6)

1991 Suzuki Swift



WIRING DIAGRAMS

Fig. 7: Rear Wiper/Washer/Defogger, Taillights (Grid 24-27) (p. 7)
1991 Suzuki Swift

